

// Product Components Guide



ALTA
WINDOW FASHIONS
design simplified

HONEYCOMB

SHADES

REVISED 5/14/24

SUMMARY OF REVISIONS

5/14/24 Revisions:

Pages 3, 5 Update Universal Cord Tensioner PCNs

4-22-24 Revisions:

Standard Cordlock removed in compliance with the CPSC Voluntary Standard

Pages 3, 5 Updated PCN's for Cord Tension Device

8/21/23 Revisions:

Page 17 Added Bliss Magnetic Charging Kit PCNs

Page 21 Added new 6FT Pendant PCNs

Page 23 Added Magnetic Charging Kit and Adapter PCNs

Page 25 Corrected Rail Carrier PCN

5/15/23 Revisions:

Page 21 Corrected Vanilla and Black PowerWand Pendant PCNs

3/13/23 Revisions:

Removed Simplicity Rechargeable Automation and Simplicity Skylight

Page 17 Updated remote PCNs and added Power Source PCNs

Page 19 Updated remote PCN and added Power Source PCNs

Page 29 Updated remote PCN

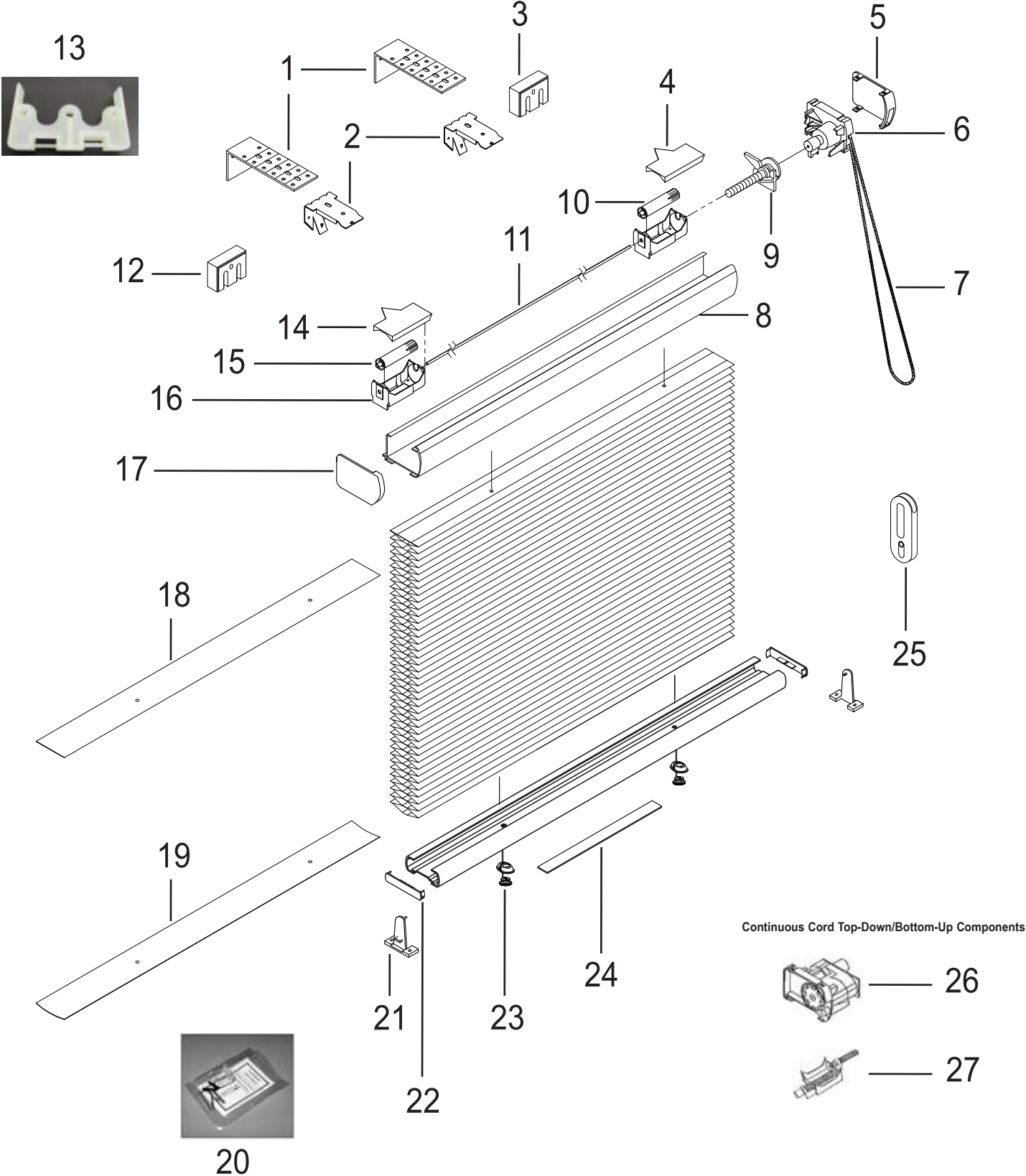
Pages 30-31 Added Skylight Somfy

TABLE OF CONTENTS

Product Specifications

• Product Components - Continuous Cord	2-3
• Product Components - Cordless & Continuous Cord Loop	4-5
• Product Components - Cordless	6-7
• Product Components - 1-1/4" CL BU	8-9
• Product Components - 1-1/4" CL TDBU	10-11
• Product Components - Cordless Lift & lock	12-13
• Product Components - Bliss BU	14-15
• Product Components - 1-1/4" Bliss BU	16-17
• Product Components - Powerwand™	18-19
• Product Components - Somfy Automation	20-21
• Product Components - Vertical Application	22-23
• Product Components - Skylight	24-25
• Product Components - Skylight Bliss	26-27
• Product Components - Skylight Somfy	28-29

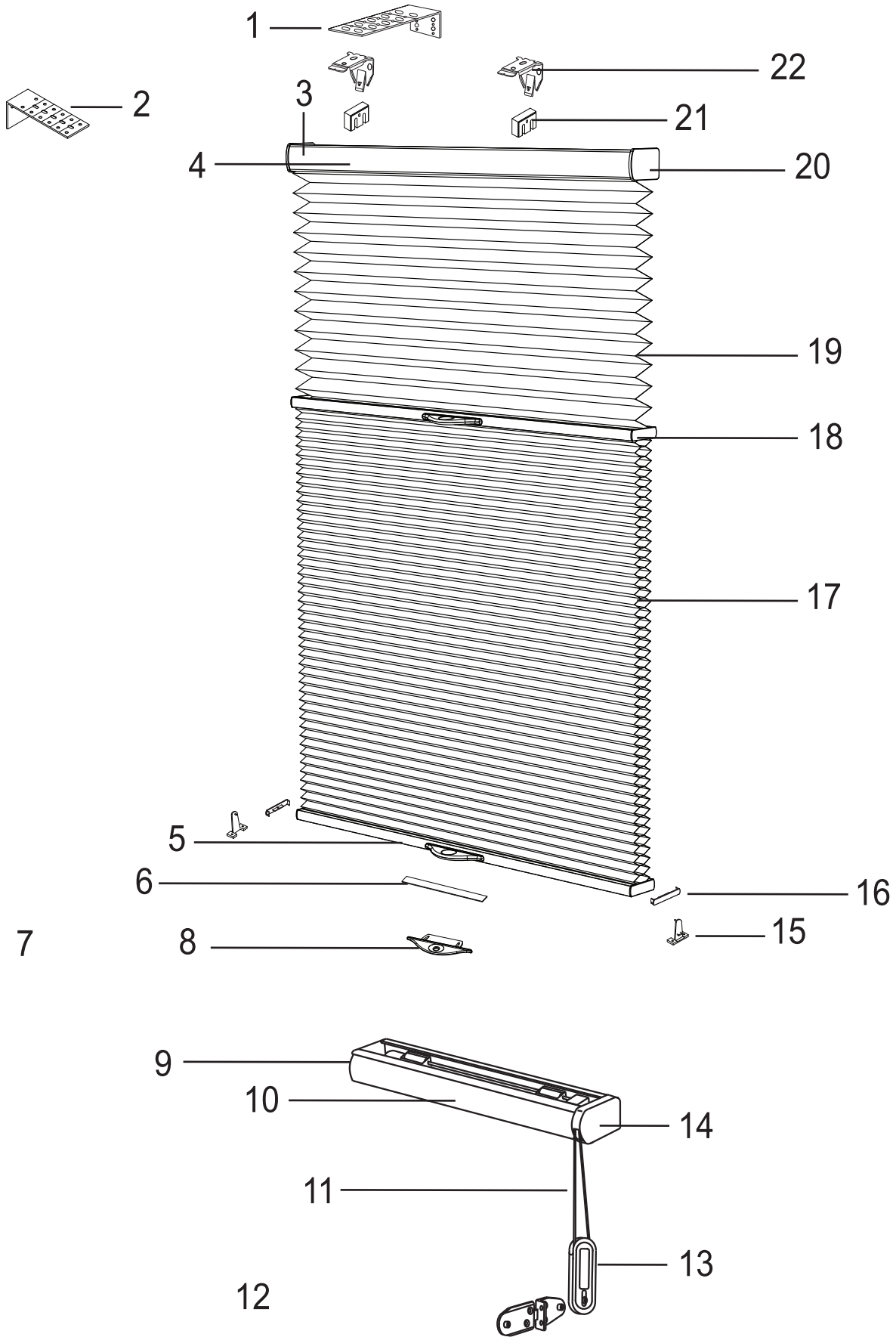
PRODUCT COMPONENTS – CONTINUOUS CORD



PRODUCT COMPONENTS – CONTINUOUS CORD

1. Extension Bracket
Part #KIT2013 (2PK)
Part #KIT2014 (3PK)
2. Mounting Bracket
Part #KIT-CCCLHC-2PK (2PK)
Part #KIT-CCCLHC-3PK (3PK)
3. 1/2" Spacer Block
KIT2011 (2PK)
KIT2012 (3PK)
4. Spool Cover (Part #5241301)
5. Right Hand Clutch Cover (Part #90-10-0COLOR)
Left Hand Clutch Cover (Part #90-20-0COLOR)
6. Right Hand Clutch Assembly (Part #50-0121-000)
Left Hand Clutch Assembly (Part #50-0122-000)
7. Color-Coordinated Cord Loop
8. Continuous Cord Headrail
9. Drop Limiter Tube (Part #500098000)
10. Polycarb Lift Spool (Part #1019884)
11. Metal V Shaft (Part #2770004000)
12. 1/2" Spacer Block KIT2011 (2PK) KIT2012 (3PK)
13. Cradle Support (Part # 19-179)
14. Spool Cover (Part #5241301)
15. Polycarb Lift Spool (Part #1019884)
16. Lift Station Support
RH (Part # 6281301)
LH (Part # 6281303)
17. Headrail End Cap (Part #4024954-COLOR)
18. Headrail Filler Strip (Part #42500110C)
19. Filler Strip – 3/8" Rail (Part #2954000000)
Filler Strip – 3/4" Rail (Part #42500110C)
20. Universal Cord Tensioner Mounting Kit (Part #1045674)
21. Hold Down Bracket 3/4" (Part #XCS1101) 3/8" (Part #CS1101)
22. End Cap – 3/8" (Part #UEC-COLOR)
End Cap – 3/4" (Part #19-183-COLOR)
23. Shade Adjust (Part #12-128A Spool, 12-129A Base)
24. Rail Weight – 5" With Tape (Part #40-0013-000)
25. Universal Cord Tensioner (pictured) and Bearing (not pictured) - Order both together
Black (UCT Part #1042820; Bearing #1042806)
Vanilla (UCT #1042821; Bearing #1042807)
White (UCT #1042822; Bearing #1042808)
Dark Brown (UCT #1042823; Bearing #1042809)
Light Brown (UCT #1042824; Bearing #1042810)
26. LH Rear Clutch Assembly (Part #CS4317)
27. Dual Bottom Limiter (Part #500199000)

TRILIGHT PRODUCT COMPONENTS – CORDLESS & CONTINUOUS CORD LOOP

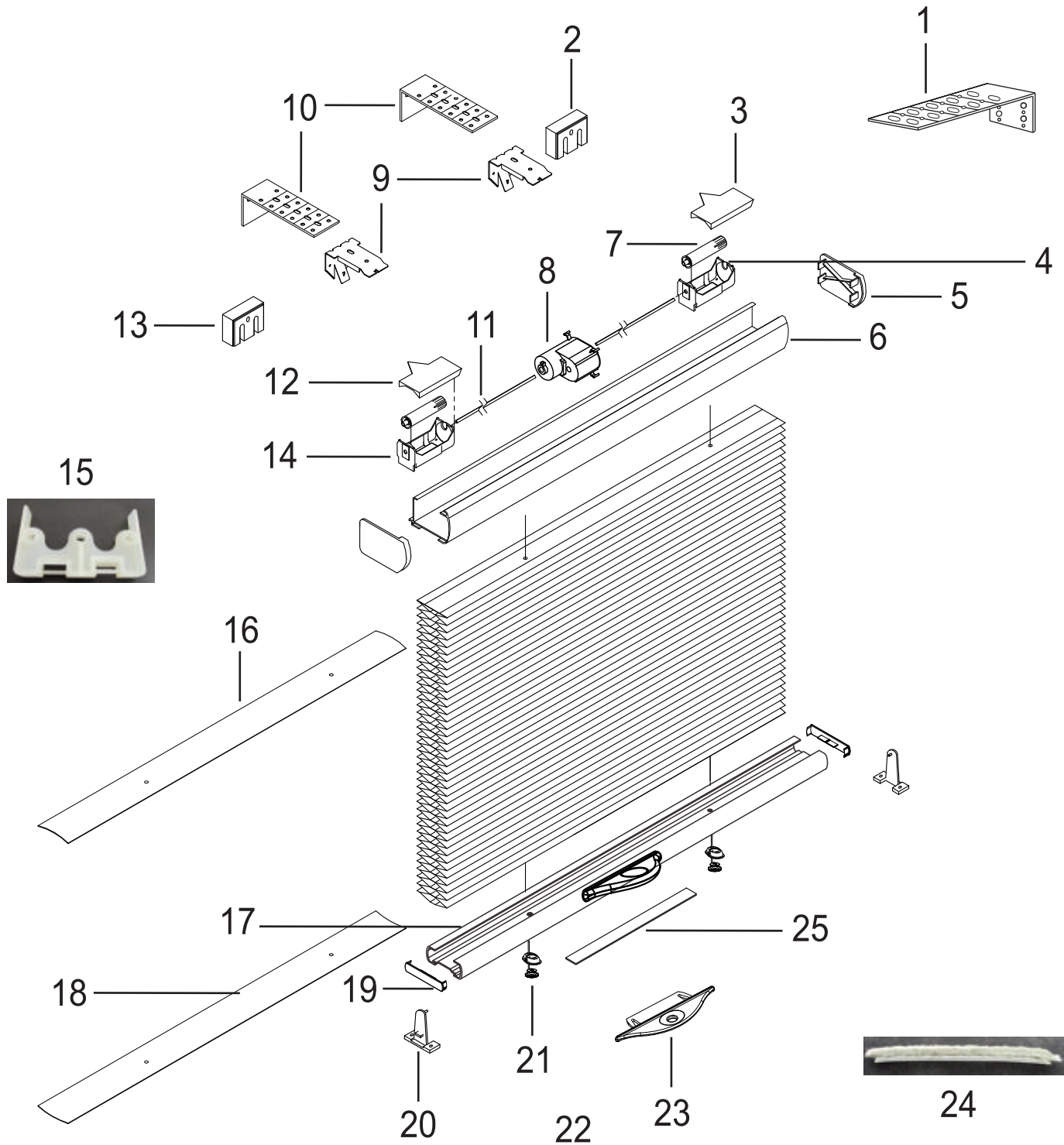


TRILIGHT PRODUCT COMPONENTS – CORDLESS & CONTINUOUS CORD LOOP

1. End Mount Bracket
(Part #40-0026-159)
Used with Installation Brackets
2. Extension Bracket
Part # KIT2013 (2PK)
Part # KIT2014 (3PK)
3. Cordless Lift System
4. Fabric-Wrapped Headrail
5. Fabric-Wrapped Bottomrail
6. 5" Bottom Bar Weight With Tape (Part #40-0013-000)
7. Not Shown:
Clear Handle Plug (Part #09-209A-000)
8. Cordless Handle
Color (Part #09-199B-COLOR)
Clear (Part #09-199B-000)
9. Headrail End Cap (Part #4024954-COLOR)
10. Continuous Cord Loop Headrail
11. White Cord Loop
24" (Part #993502500)
36" (Part #993503500)
48" (Part #993504500)
60" (Part #993505500)
72" (Part #993506500)
84" (Part #993507500)
96" (Part #993508500)
120" (Part #993510500)
144" (Part #993512500)
12. Not Shown:
Right Hand Clutch Assembly (Part #50-0121-000)
Left Hand Clutch Assembly (Part #50-0122-000)
13. Universal Cord Tensioner (pictured) and Bearing (not pictured) - Order both together
Black (UCT Part #1042820; Bearing #1042806)
Vanilla (UCT #1042821; Bearing #1042807)
White (UCT #1042822; Bearing #1042808)
Dark Brown (UCT #1042823; Bearing #1042809)
Light Brown (UCT #1042824; Bearing #1042810)
14. S/B: Left hand clutch cover (Part #90-20-0-COLOR)
Right hand clutch cover (Part #90-10-0-COLOR)
15. Hold Down Bracket
3/4" (Part #XCS1101)
3/8" (Part #CS1101)
16. 3/4" End Cap (Part #19-183-COLOR)
3/8" End Cap (Part #UEC-COLOR)
17. Fabric
18. Fabric-Wrapped Intermediate Rail
19. Sheer Pleated Fabric
20. Headrail End Cap (Part #4024954-COLOR)
21. 1/2" Spacer Block Part #KIT2011 (2PK) Part #KIT2012 (3PK)
22. Installation Bracket
Part #KIT-CCCLHC-2PK (2PK)
Part #KIT-CCCLHC-3PK (3PK)

NOTE: TriLight Shades are also available with Cordless Lift & Lock. Refer to the diagram for parts information.

PRODUCT COMPONENTS – CORDLESS



CORDLESS TOP-DOWN/BOTTOM-UP

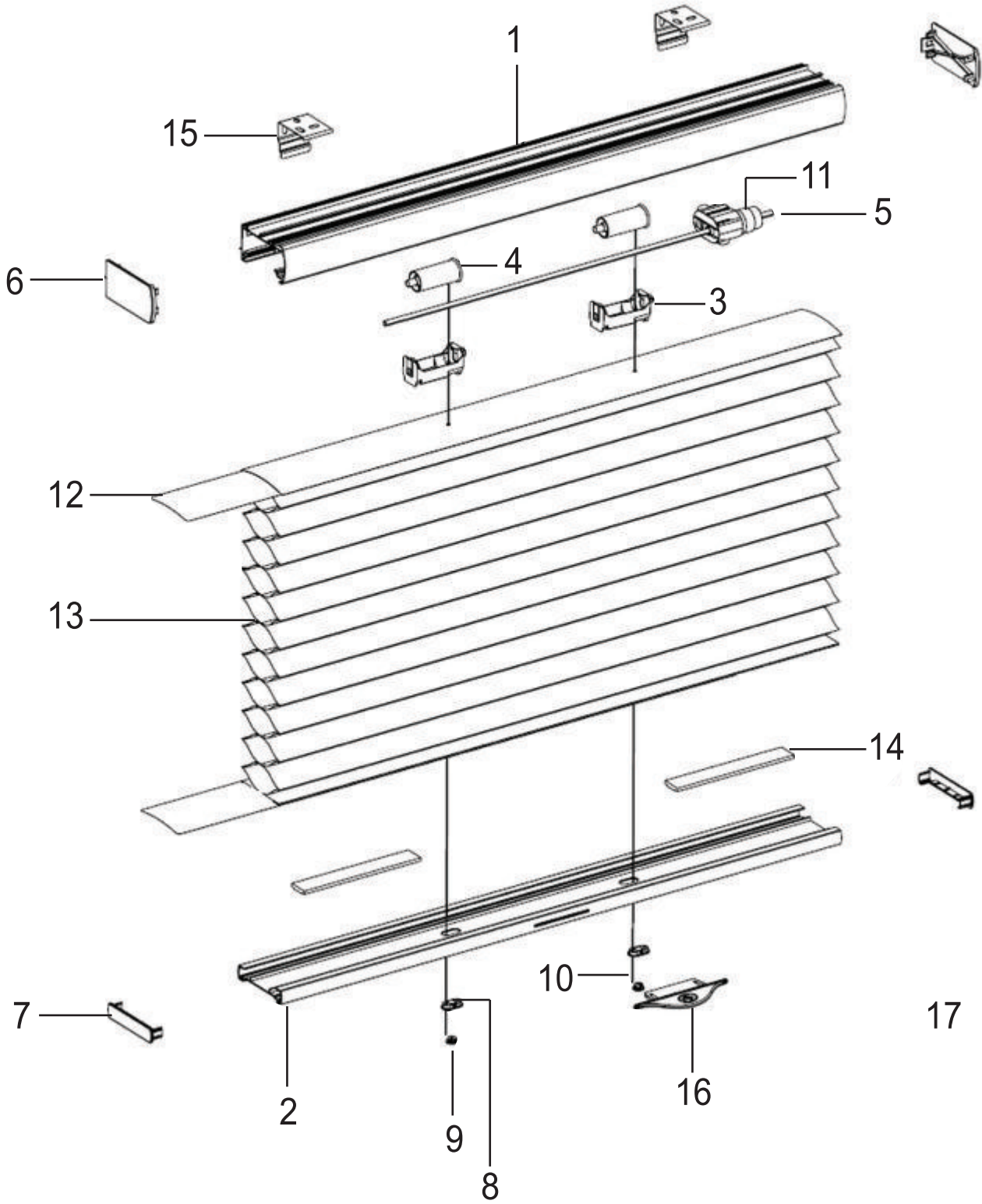
Striker Plate:
 Zinc: Part #CS5476 (Painted rails)
 White: Part #CS5476W (Fabric covered rails)

Magnet:
 Zinc: Part #CS5467 (Painted rails)
 Magnet Cover - White: Part #CS5467CV-W (Fabric covered rails)
 Magnet Lock: Part #CS5471
 Magnet Screw: Part #1021017

PRODUCT COMPONENTS – CORDLESS

1. End Mount Bracket (Part #40-0026-159)
Used with installation bracket
2. 1/2" Spacer Block
Part #KIT2011 (2PK)
Part #KIT2012 (3PK)
3. Spool Cover (Part #5241301)
4. Lift Station Support – RH (Part #6281301)
5. Headrail End Cap (Part #4024954-COLOR)
6. Cordless Headrail
7. Polycarb Lift Spool (Part #1019884)
8. Lift Motor
Blue (Part #1009471)
White (Part #1009472)
Gray (Part #1009470)
9. Installation Bracket
Part #KIT-CCCLHC-2PK (2PK)
Part #KIT-CCCLHC-3PK (3PK)
10. Extension Bracket
Part #KIT2013 (2PK)
Part #KIT2014 (3PK)
11. Lift Rod V Shaft (Part #50-00-69-000)
12. Spool Cover (Part #5241301)
13. 1/2" Spacer Block
Part #KIT2011 (2PK)
Part #KIT2012 (3PK)
14. Lift Station Support – LH (Part #6281303)
15. Cradle Support (Part #19-179)
16. Headrail Filler Strip (Part #42500110C)
17. 3/8" Rail (Part #UR-COLOR-16)
3/4" Rail (Part #XUR-COLOR-16)
18. Filler Strip
3/8" Rail (Part #2954000000)
3/4" Rail (Part #42500110C)
19. Bottomrail End Cap
3/8" (Part #UEC-COLOR)
3/4" (Part #19-183-COLOR)
20. Hold Down Bracket
3/4" (Part #XCS1101)
3/8" (Part #CS1101)
21. Shade Adjust
Spool (Part #12-128A)
Base (Part #12-129A)
22. Clear handle plug (Part #09-209A-000)
23. Cordless Handle
Color (Part #09-199B-COLOR)
Clear (Part #09-199B-000)
24. Light Block Option Dimensions and 1-1/4"
(Cordless and Motorized IB only) (Part #RCBLBB)
25. Rail Weight – 5" With Tape (Part #40-0013-000)

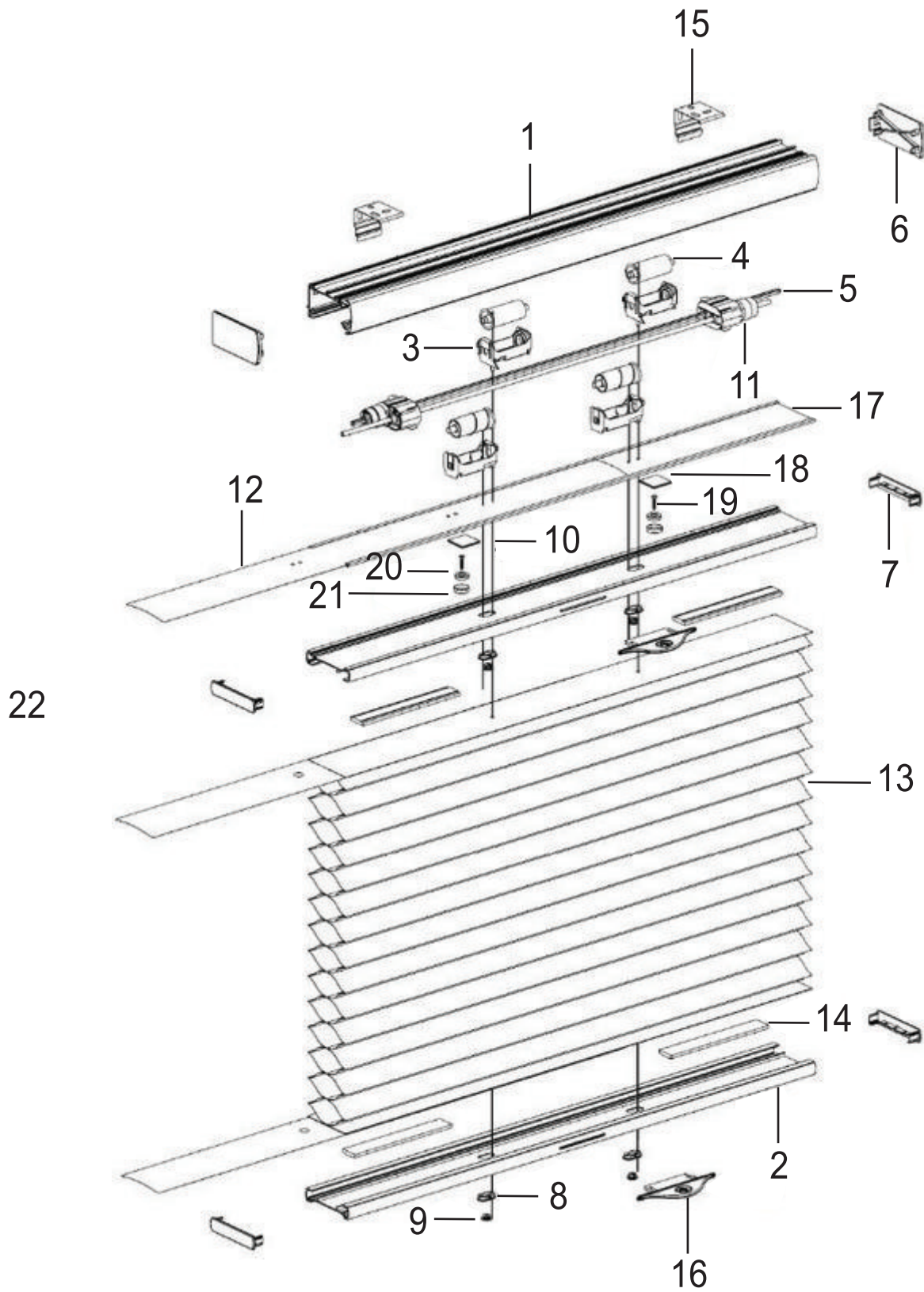
PRODUCT COMPONENTS - 1 1/4" CORDLESS BU



PRODUCT COMPONENTS – 1 1/4” CORDLESS BU

1. Headrail (CC) RAIL;HDR;HC;1.25in;
CC = Coordination Color
2. Bottom rail (CC) RAIL;BTM;HC;1.25in;
CC = Coordination Color
3. COMMON HR LIFT SPOOL SUPPORT (Part #2780033000)
4. SPOOL;HONEYCOMB;COMMON HR ASA;DARK GRAY (Part#1019884)
5. STEEL V-SHAFT ROD FOR COMMON HEADRAIL -A (Part #2770004000)
6. Headrail end cap (CC) EC;HC;1.25in;HDR;
CC = Coordination Color
7. Bottom rail end cap (CC) EC;HC;1.25in;BTM;
CC = Coordination Color
8. Shade Adjust - Base Clr/5K CAR rev 7.14. (Part #12-129A)
9. Shade Adjust - Spool Clear/5K CAR (Part #12-128A)
10. CORD;CC090002;NA;WHITE;00110;CRDLS .09MM (Part #1851771)
11. SIMPLEX WHITE MOTOR ASSEMBLY-NEW WING (Part #1009472)
SIMPLEX BLUE MOTOR ASSEMBLY-NEW WING (Part #1009471)
SIMPLEX TAN MOTOR NO BRAKE-NEW WING (Part #1009473)
SIMPLEX MOTOR BROWN NO BRAKE (Part #500200000)
12. FILLER STRIP 2.41IN ALUMINUM (Part #2971311000)
13. Fabric
14. 5 IN BOTTOM BAR WEIGHT W/TAPE (7505T) (Part #40-0013-000)
15. KIT SM CASS BKT 2PK (Part #KIT-RS-010R)
KIT SM CASS BKT 3PK (Part #KIT-RS-011R)
16. HC CL Handle Universal- (Part #09-199B-XXX (CC))
CC = Coordination Color
17. Not Shown (Optional):
Light Blocking Brush 200yd spool (Part #RCBLBB)
Spacer Block 2-Pack (Part #KIT2011)
Spacer Block 3-Pack (Part #KIT2012)
4 IN BREAK AWAY BRACKET WHITE 10-0706 (Part #40-0026-159)

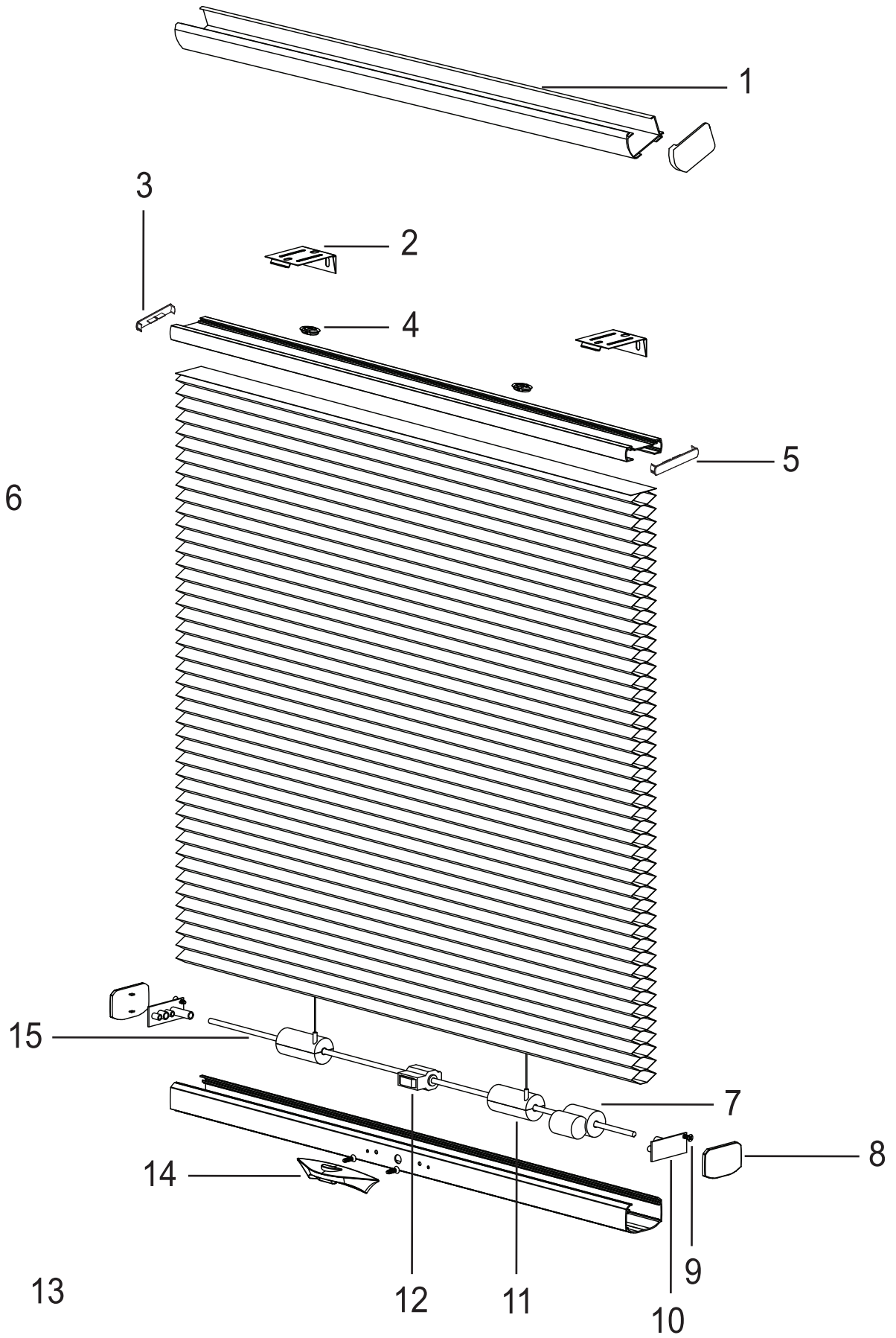
PRODUCT COMPONENTS - 1 1/4" CORDLESS TDBU



PRODUCT COMPONENTS – 1 1/4” CORDLESS TDBU

1. Headrail (CC) RAIL;HDR;HC;1.25in;
CC = Coordination Color
2. Bottom rail (CC) RAIL;BTM;HC;1.25in;
CC = Coordination Color
3. COMMON HR LIFT SPOOL SUPPORT (Part #2780033000)
4. SPOOL;HONEYCOMB;COMMON HR ASA;DARK GRAY (Part #1019884)
5. STEEL V-SHAFT ROD FOR COMMON HEADRAIL -A (Part #2770004000)
6. Headrail end cap (CC) EC;HC;1.25in;HDR;
CC = Coordination Color
7. Bottom rail end cap (CC) EC;HC;1.25in;BTM;
CC = Coordination Color
8. Shade Adjust - Base Clr/5K CAR rev 7.14. (Part #12-129A)
9. Shade Adjust - Spool Clear/5K CAR (Part #12-128A)
10. CORD;CC090002;NA;WHITE;00110;CRDLS .09MM (Part #1851771)
11. SIMPLEX WHITE MOTOR ASSEMBLY-NEW WING (Part #1009472)
SIMPLEX BLUE MOTOR ASSEMBLY-NEW WING (Part #1009471)
SIMPLEX TAN MOTOR NO BRAKE-NEW WING (Part #1009473)
SIMPLEX MOTOR BROWN NO BRAKE (Part #500200000)
12. FILLER STRIP 2.41IN ALUMINUM (Part #2971311000)
13. Fabric
14. 5 IN BOTTOM BAR WEIGHT W/TAPE (7505T) (Part #40-0013-000)
15. KIT SM CASS BKT 2PK (Part #KIT-RS-010R)
KIT SM CASS BKT 3PK (Part #KIT-RS-011R)
16. HC CL Handle Universal- (Part #09-199B-XXX (CC))
CC = Coordination Color
17. INSERT;HC;1.25in;LGHT GSKT;16ft EXTR (Part #1022119)
18. LIFTLOCK TDBU 1.5IN X .925IN X .059IN P (Part #1022973)
19. MOTIONLOCK HANDLE ASSEMBLY 3/8IN SCREWS (Part #1021017)
20. LIFTLOCK TDBU .560IN X .125IN MAGNET (Part #6191403)
21. CAP;MAGNET;HC;1.25in;White (Part #1016334)
22. Not Shown (Optional):
Light Blocking Brush 200yd spool (Part #RCBLBB)
Spacer Block 2-Pack (Part #KIT2011)
Spacer Block 3-Pack (Part #KIT2012)
4 IN BREAK AWAY BRACKET WHITE 10-0706 (Part #40-0026-159)

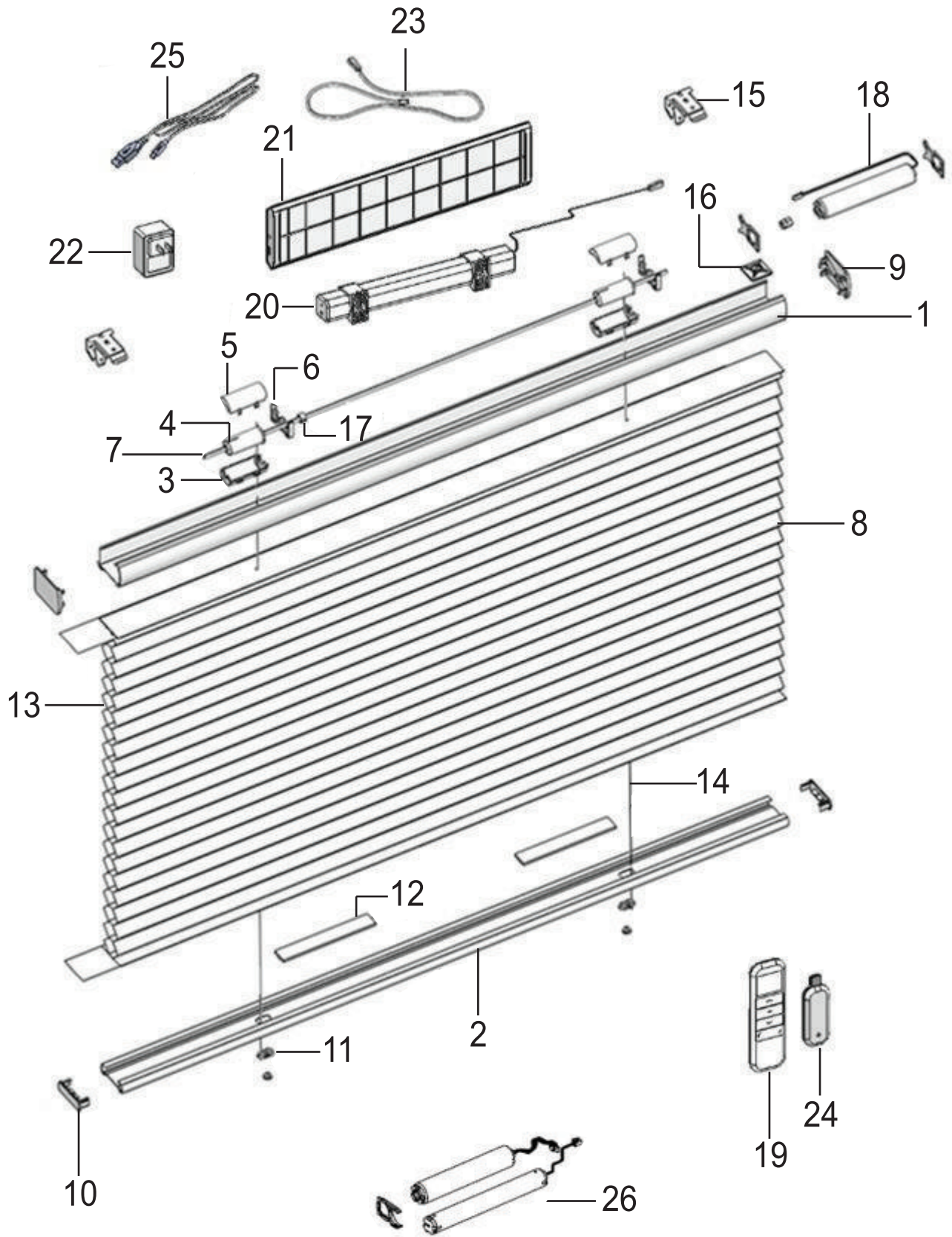
PRODUCT COMPONENTS – CORDLESS LIFT & LOCK



PRODUCT COMPONENTS – CORDLESS LIFT & LOCK

1. Optional Premium Headrail
2. Installation Bracket
Part #KIT-34XCS707-CLLK (2PK)
Part #KIT-34XCS707-CLLK3 (3PK)
3. Color Coordinated 3/4" End Cap (Part #19-183-COLOR)
4. Shade Adjust (Part #12-128A Spool, 12-129A Base)
5. Optional Clear Rail End Cap (Part #19-183-000BB)
6. Not Shown:
Side Mount Bracket (Part #XCS1801)
7. Motor Assembly (White Part #2151308) (Blue Part #2151307)
8. Rail End Cap (Part #3121302-COLOR)
9. Screw (Part #4231302)
10. End Lock Base Set (Part #6121302)
11. Lift Station Support Single RH (Part #6281301)
12. Standard Lock (Part #2131301)
13. Not Shown:
Cordless Lift & Lock Top-Down/Bottom-Up Magnet (Part #6191403)
Striker Plate (Part #1022973)
14. Handle (Part #4231301-COLOR)
Handle Assembly Screw (Part #4231302)
15. Lift Station Support Single LH (Part #6281303)

PRODUCT COMPONENTS – BLISS MOTORIZATION BU



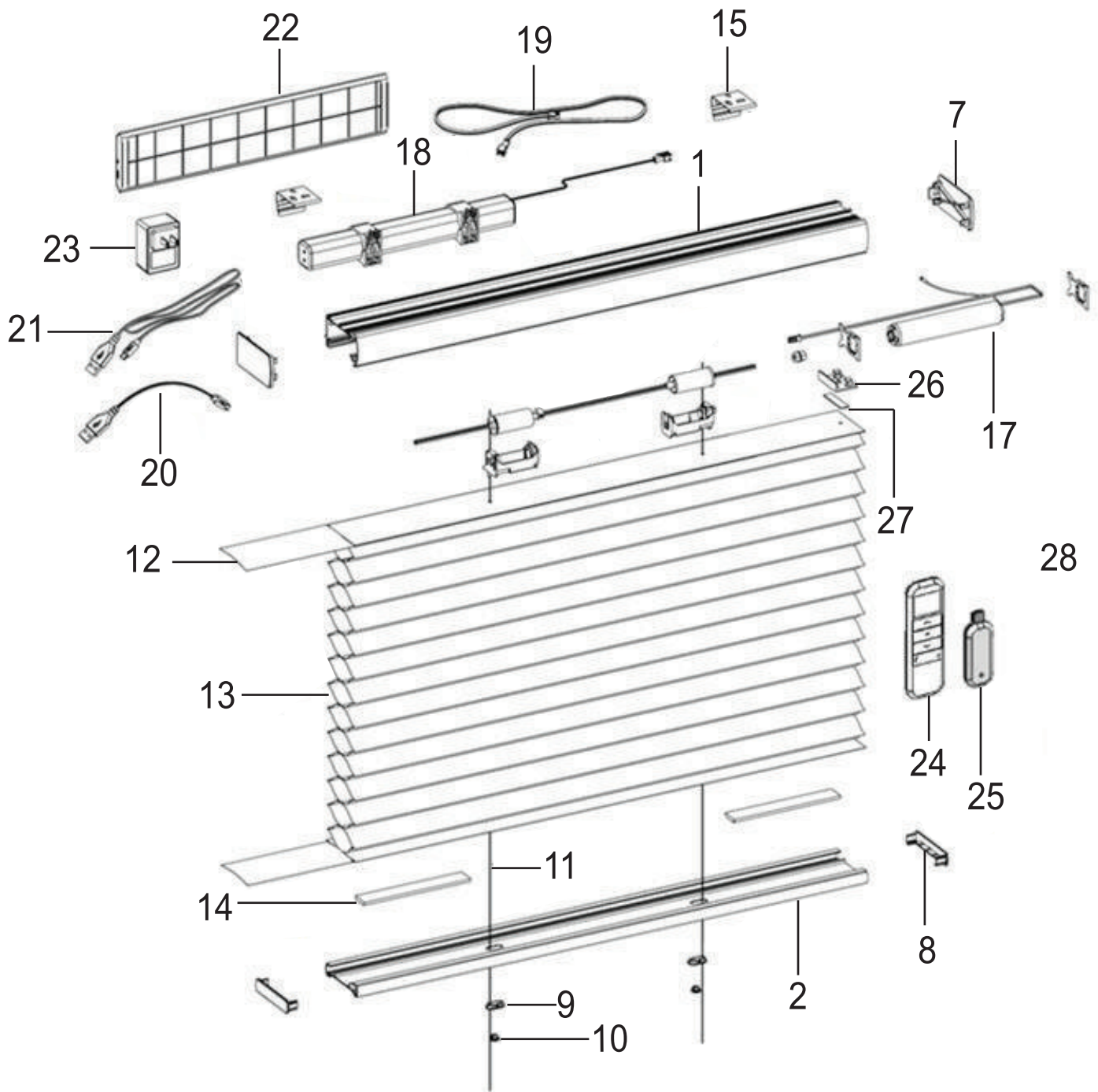
PRODUCT COMPONENTS – BLISS MOTORIZATION BU

1. HR SMTH MOD 2.10 UNIV HCCLCC (Part #90-80-0xxx)
2. RAIL STD CMTX 3/4 (Part #XURxxx16)
RAIL STD CMTX 3/8 (Part #URxxx16)
3. Clamshell Lift Station Support Single RH (Part #6281301)
4. SPOOL;HONEYCOMB;COMMON HR ASA;DARK GRAY (Part #1019884)
5. Clamshell Lift Station Cover (Part #CS4052)
6. CRADLE SUPPORT (Part #19-179)
7. STEEL V-SHAFT ROD FOR COMMON HEADRAIL -A (Part #2770004000)
8. Fabric
9. HDRL END CAP UNIV RAIL (Part #4024954xxx)
10. END CAP 3/4 CMTX REV16 (Part #19-183-XXX)
END CAP 3/8 CMTX (Part #UECXXX)
11. Shade Adjust - Base Clr/5K CAR rev 7.14. (Part #12-129A)
Shade Adjust - Spool Clear/5K CAR (Part #12-128A)
12. 5 IN BOTTOM BAR WEIGHT W/TAPE (7505T) (Part #40-0013-000)
13. FILLER STRIP Duet Appls Acclm 3/4in AL (Part #42500110C)
Aluminium filler strip 1 1/2 inch 1KFT RL (Part #1091830150)
FILLER STRIP HC Pltd 3/8in ALUMINUM ** (Part #2954000000)
14. CORD .9 MM (Part #1851771)
15. KIT CC/CL HC INSTL BRKT WHITE 2 PK (Part #KIT-CCCLHC-2PK)
KIT CC/CL HC INSTL BRKT WHITE 3 PK (Part #KIT-CCCLHC-3PK)
16. Cable tie mounting base (Part #CS5201)
17. LOCKING COLLAR ASSY - NGPR (METAL) (Part #2920750000)
18. MOTOR;BLISS;CELL;SingleDr;0.6Nm;50r (Part #62006000)
Includes motor and shaft adapters
19. Bliss BU 15 Channel Remote Control (Part #1026655)
Bliss TDBU 16 Channel Remote Control (Part #1026656)
20. BATPK;BLISS;5v2.6AhLi-ion;Rechrgeable (Part #62203000)
21. CHARGER;BLISS;Solar Panel;2.0;USB Mtr (Part #62201000)
22. KIT;CHARGER;5V;WALL;USB;WHITE (Part #1027720)
23. DC MOTOR CABLE EXTENDER 48IN (Part #62206700)
24. CNTRL;BLISS;Gateway;WiFiHub;AltaExc (Part #62102C00)
25. CABLE;EXT;CHARGE;MICRO-USB;48IN (Part #1013115)
26. Internal Battery Motor (Part #62009000)
Internal Battery (Part #62203100)

Not Shown (Optional)

CABLE;EXT;CHARGE;MICRO-USB;8IN (Part #1013119)
Spacer Block 2-Pack (Part #KIT2011)
Spacer Block 3-Pack (Part #KIT2012)
15v DC Distribution Power Panel - 18 Motor (Part #1037300)
12v DC Plug In Transformer (Part #62209000)
CONN;Tip;AMPBLISS;Magnetic;USB (Part #62206200)
KIT;BLISS;Magnetic;Connect;Tip (Part #1026665)
KIT;BLISS;Magnetic;90deg;Connect;Tip (Part #1027769)

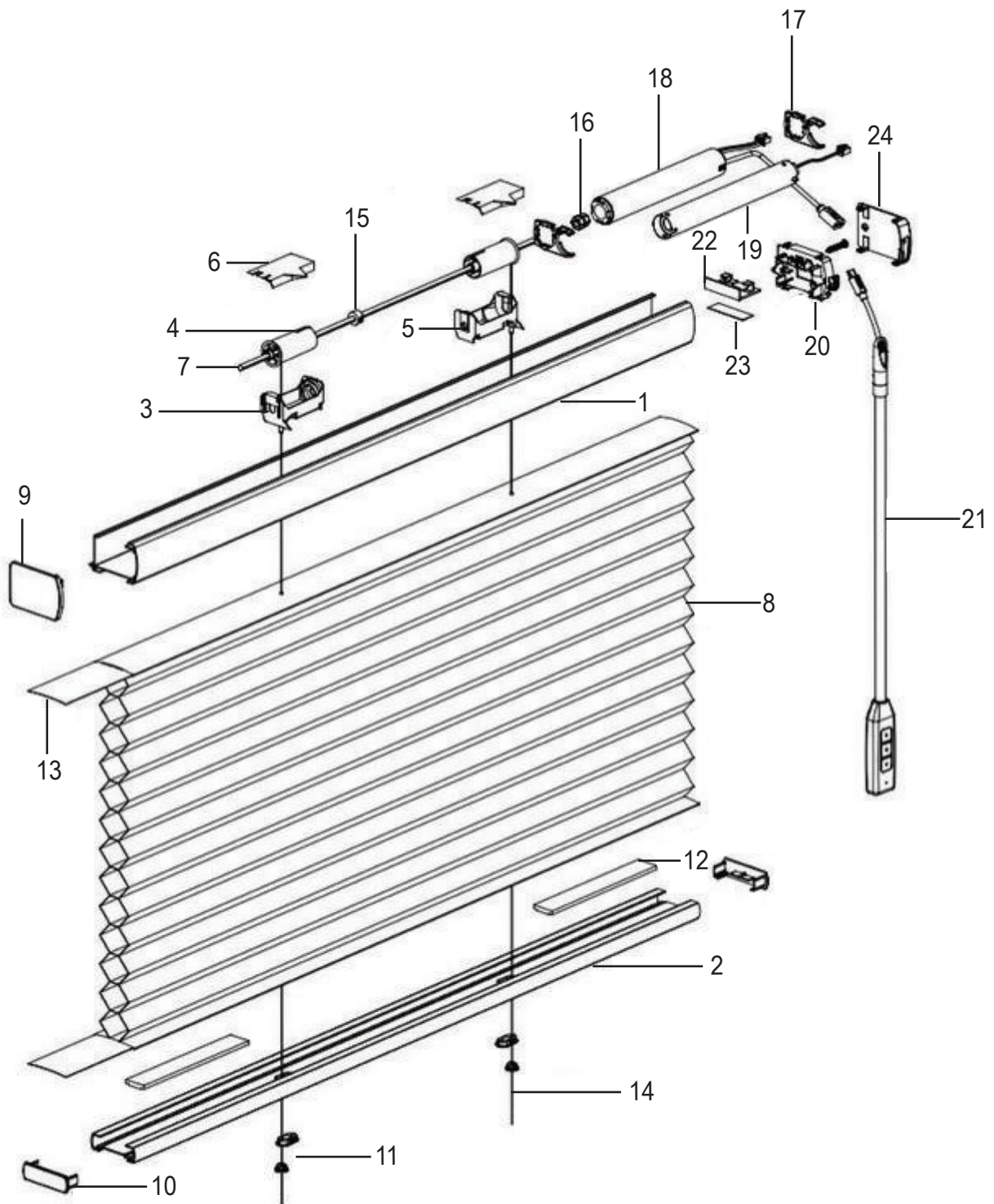
PRODUCT COMPONENTS – 1 1/4" BLISS MOTORIZATION BU



PRODUCT COMPONENTS – 1 1/4” BLISS MOTORIZATION BU

1. Headrail (CC) RAIL;HDR;HC;1.25in;
CC = Coordination Color
2. Bottom rail (CC) RAIL;BTM;HC;1.25in;
CC = Coordination Color
3. COMMON HR LIFT SPOOL SUPPORT (Part #2780033000)
4. SPOOL HOUSING LH (Part #2965980000)
5. SPOOL;HONEYCOMB;COMMON HR ASA;DARK GRAY (Part #1019884)
6. STEEL V-SHAFT ROD FOR COMMON HEADRAIL -A (Part #2770004000)
7. Headrail end cap (CC) EC;HC;1.25in;HDR;
CC = Coordination Color
8. Bottom rail end cap (CC) EC;HC;1.25in;BTM;
CC = Coordination Color
9. Shade Adjust - Base Clr/5K CAR rev 7.14. (Part #12-129A)
10. Shade Adjust - Spool Clear/5K CAR (Part #12-128A)
11. CORD;CC090002;NA;WHITE;00110;CRDLS .09MM (Part #1851771)
12. FILLER STRIP 2.41IN ALUMINUM (Part #2971311000)
13. Fabric
14. 5 IN BOTTOM BAR WEIGHT W/TAPE (7505T) (Part #40-0013-000)
15. KIT SM CASS BKT 2PK (Part #KIT-RS-010R)
KIT SM CASS BKT 3PK (Part #KIT-RS-011R)
16. LOCKING COLLAR ASSY - NGPR (METAL) (Part #2920750000)
17. MOTOR;BLISS;CELL;SingleDr;0.6Nm;50r (Part #62006000)
Includes motor and shaft adapters
18. BATPK;BLISS;5v2.6AhLi-ion;Rechrgeable (Part #62203000)
19. DC MOTOR CABLE EXTENDER 48IN (Part #62207000)
20. CABLE;EXT;CHARGE;MICRO-USB;8IN (Part #62206700)
21. CABLE;EXT;CHARGE;MICRO-USB;48IN (Part #62206800)
22. CHARGER;BLISS;Solar Panel;2.0;USB Mtr (Part #62201000)
23. KIT;CHARGER;5V;WALL;USB;WHITE (Part #1027720)
24. Bliss 15 Channel Remote Control (Part #1026655)
25. CNTRL;BLISS;Gateway;WiFiHub;AltaExc (Part #62102C00)
26. STOP;MOTOR;HC;1.25in;HDR (Part #1020445)
27. TAPE;FOAM;.05inx1.5in;Blue (Part #1017594)
28. Not Shown (Optional):
Light Blocking Brush 200yd spool (Part #RCBLBB)
Spacer Block 2-Pack (Part #KIT2011)
Spacer Block 3-Pack (Part #KIT2012)
4 IN BREAK AWAY BRACKET WHITE 10-0706 (Part #40-0026-159)
15v DC Distribution Power Panel - 18 Motor (Part #1037300)
12v DC Plug In Transformer (Part #62209000)

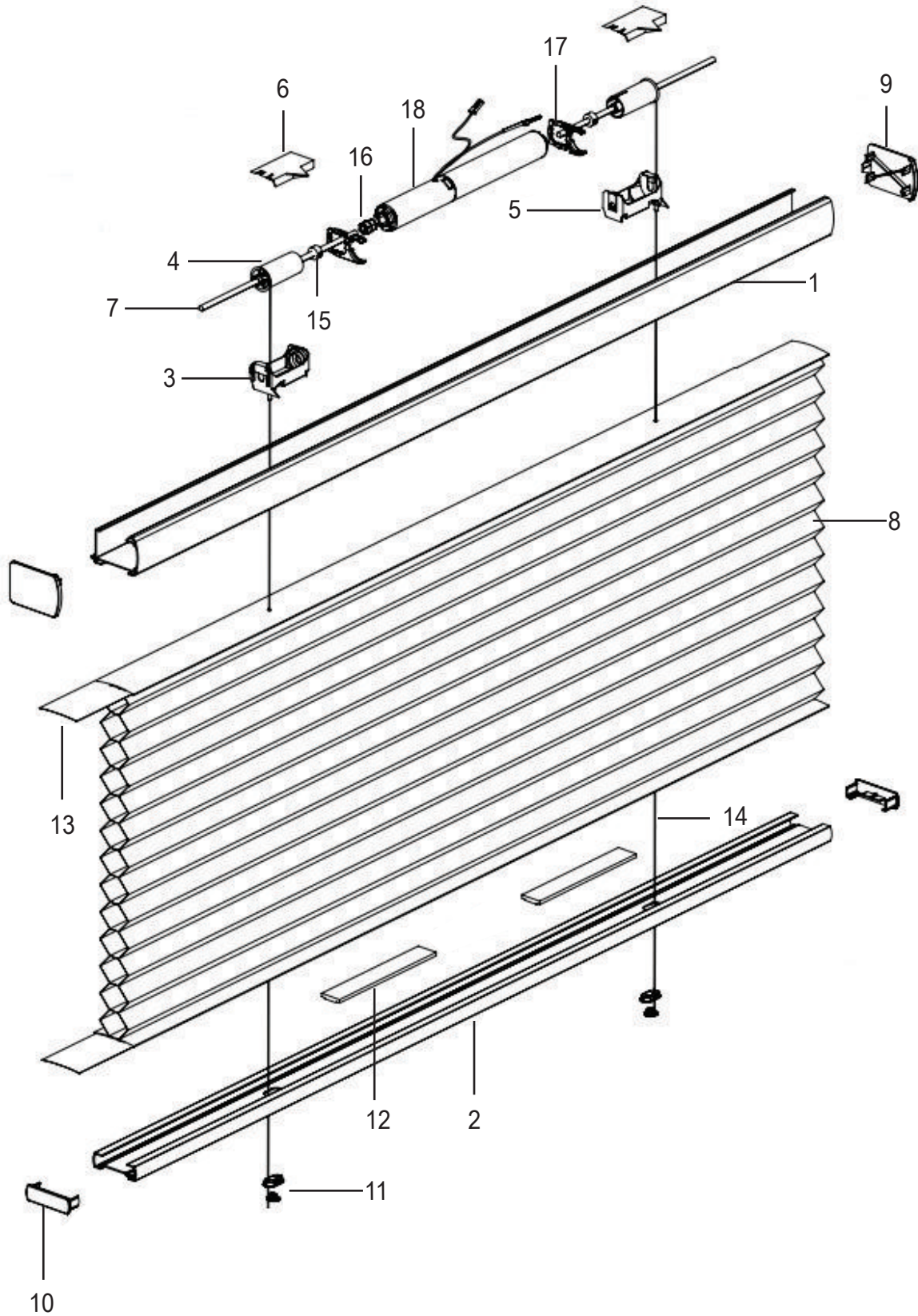
PRODUCT COMPONENTS – POWERWAND™



PRODUCT COMPONENTS – POWERWAND™

- | | |
|--|---|
| <p>1. Headrail</p> <p>2. 3/8" Rail (Part #UR-COLOR-16)
3/4" Rail (Part #XUR-COLOR-16)</p> <p>3. Common HR Lift Spool Support (Part #278003300)</p> <p>4. Polycarb Lift Spool (Part #1019884)</p> <p>5. Spool Housing LH (Part #2965980000)</p> <p>6. SPOOL SUPPORT COVER (Part # CS4052)</p> <p>7. LIFT ROD V-SHAFT (Part #2770004000)</p> <p>8. Fabric</p> <p>9. HDRL END CAP UNIV RAIL (Part #4024954xxx)</p> <p>10. END CAP 3/4 (Part #19-183-XXX)
END CAP 3/8 (Part #UECXXX)</p> <p>11. Shade Adjust
Base (PCN 12-129A)
Spool (PCN 12-128A)</p> <p>12. 5 IN BOTTOM BAR WEIGHT W/TAPE (7505T) (Part #40-0013-000)</p> <p>13. Filler Strip
3/8" Rail (Part #2954000000)
3/4" Rail (Part #42500110C)</p> <p>14. Cord (Part #1851771)</p> <p>15. LOCKING COLLAR ASSY - NGPR (METAL) (Part #2920750000)</p> <p>16. ADAPT;r;VRod;HC;SPARE (Part #1034492)</p> <p>17. ADAPT;POWERWAND;BTE;Cell;SmoothHR (Part #1034496)</p> <p>18. MOTOR (Part #1034490)</p> <p>19. BATTERY (Part #1034491)</p> <p>20. EC;Receiver;Powerwand;RH (Part #1034428)
EC;Receiver;Powerwand;LH (Part #1034429)</p> <p>21. Pendant
White
1FT (Part # 1034303)
2FT (Part # 1034304)
3FT (Part # 1034305)
4FT (Part # 1034306)
5FT (Part # 1034307)
6FT (Part # 1040190)
Vanilla
1FT (Part # 1034408)
2FT (Part # 1034409)
3FT (Part # 1034410)
4FT (Part # 1034411)
5FT (Part # 1034412)
6FT (Part # 1040191)
Gray
1FT (Part # 1034413)
2FT (Part # 1034414)
3FT (Part # 1034415)
4FT (Part # 1034416)
5FT (Part # 1034417)
6FT (Part # 1040192)
Bronze
1FT (Part # 1034403)
2FT (Part # 1034404)
3FT (Part # 1034405)
4FT (Part # 1034406)
5FT (Part # 1034407)
6FT (Part # 1040193)</p> | <p>Black
1FT (Part # 1034308)
2FT (Part # 1034309)
3FT (Part # 1034400)
4FT (Part # 1034401)
5FT (Part # 1034402)
6FT (Part # 1040194)</p> <p>22. STOP;MOTOR;HC;1.25in;HDR (Part #1020445)</p> <p>23. TAPE;FOAM;.05inx1.5in;Blue (Part #1017594)</p> <p>24. END CAP CLTCH RH UNIV RAIL (Part #90-10-0XXX)
END CAP CLTCH LH UNIV RAIL (Part #90-20-0XXX)</p> |
|--|---|

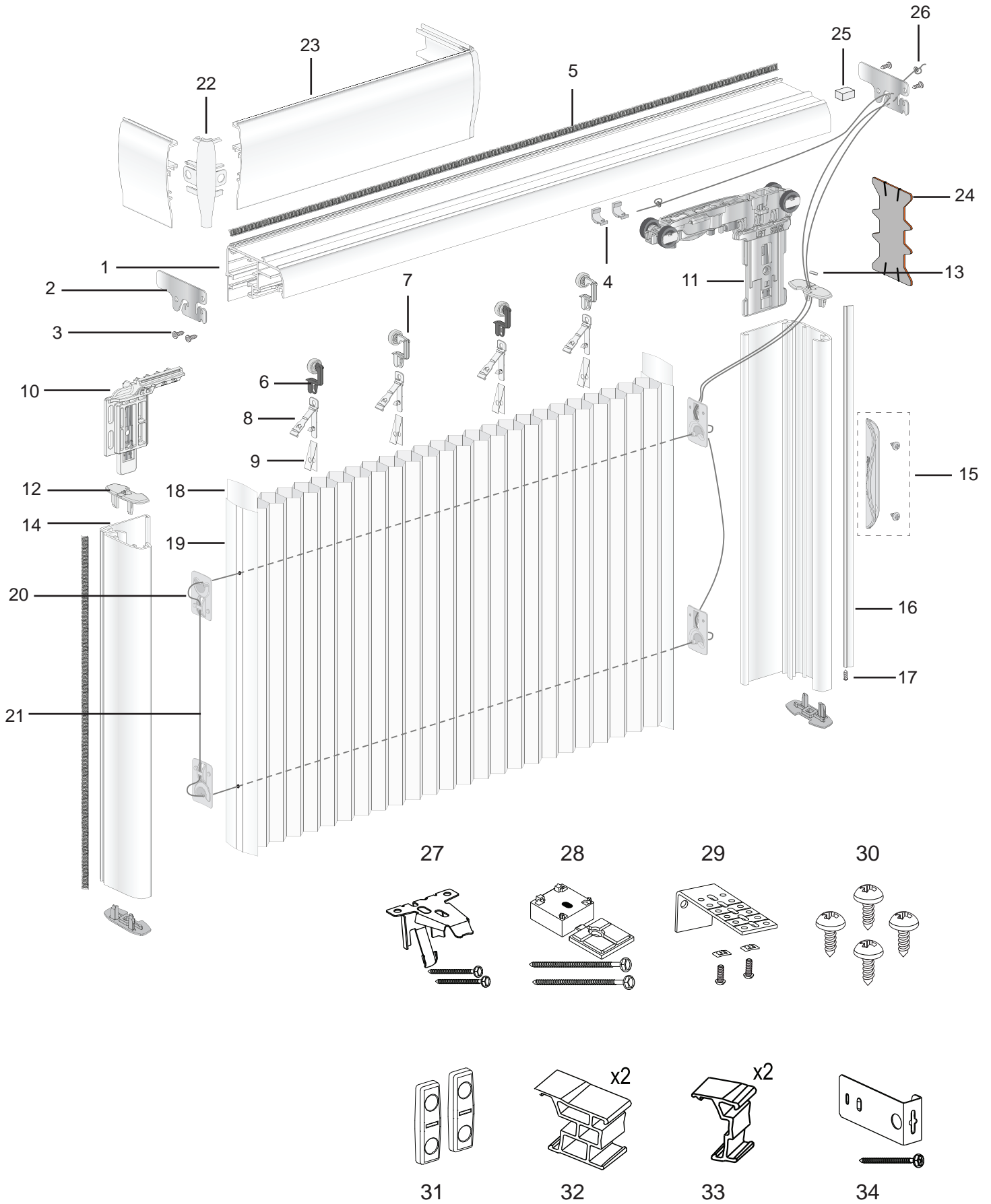
PRODUCT COMPONENTS – SOMFY AUTOMATION



PRODUCT COMPONENTS – SOMFY AUTOMATION

1. Headrail
2. 3/8" Rail (Part #UR-COLOR-16)
3/4" Rail (Part #XUR-COLOR-16)
3. Common HR Lift Spool Support (Part #278003300)
4. Polycarb Lift Spool (Part #1019884)
5. Spool Housing LH (Part #2965980000)
6. SPOOL SUPPORT COVER (Part # CS4052)
7. LIFT ROD V-SHAFT (Part #2770004000)
8. Fabric
9. HDRL END CAP UNIV RAIL (Part #4024954xxx)
10. BOTTMRAIL END CAP 3/4 (Part #19-183-XXX)
BOTTOMRAIL END CAP 3/8 (Part #UECXXX)
11. Shade Adjust – Base (Part #12-129A)
Shade Adjust – Spool (Part #12-128A)
12. 5 IN BOTTOM BAR WEIGHT W/TAPE (Part #40-0013-000)
13. Filler Strip
3/8" Rail (Part #2954000000)
3/4" Rail (Part #42500110C)
14. Cord (Part #1851771)
15. LOCKING COLLAR ASSY - NGPR (METAL) (Part #2920750000)
16. ADAPTER;TL25;Shaft;HC (Part #1035616)
17. ADAPTER;TL25;Headrail;HC (Part #1035615)
18. MOTOR (Part #1035513)
Not Shown (Optional)
Magnetic Charging Kit (Part #1040198)
Magnetic Adapter (Part #1040090)

PRODUCT COMPONENTS – VERTICAL APPLICATION

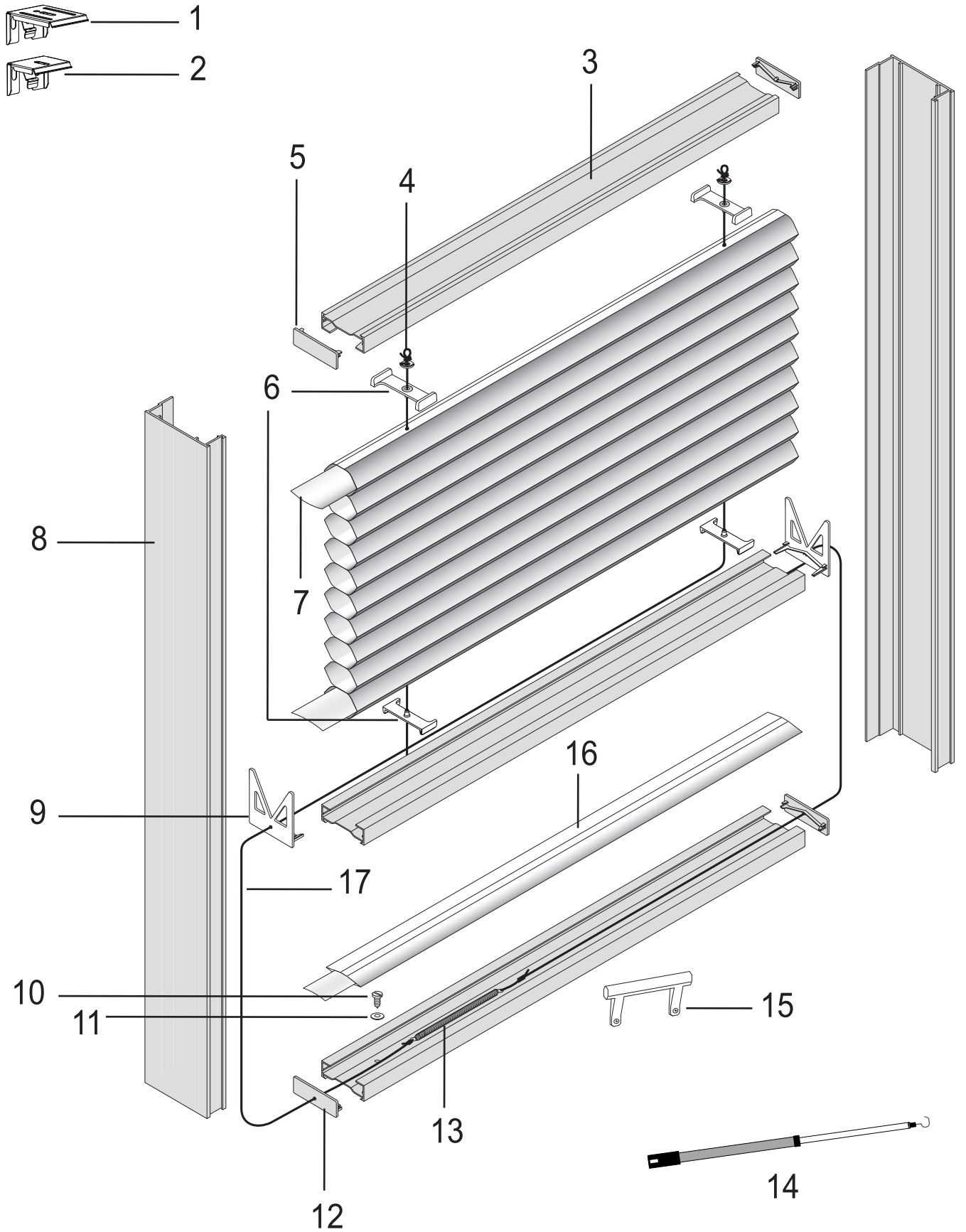


PRODUCT COMPONENTS – VERTICAL APPLICATION

1. Headrail
2. Manual End Plate (Part #2991380000)
3. End Plate Screws (#8 x 3/4" Pan Head) (Part #2999019000)
4. Cord Tensioner (Part #2991281000)
5. Headrail Light Block Strip (Part #2780229002)
6. Rail Carrier (Front Rail, Black) (Part # 2991259000)
7. Rail Carrier (Rear Rail, Clear) (Part #2991260000)
8. Fabric Carrier (Part #2991237000)
9. Fabric Reinforcer (Part #2991238000)
10. Stationary Rail Bracket Assembly
LH (Part #2991323000)
RH (Part #2991324000)
11. Moving Rail Bracket Assembly
LH (used with left fabric stacks) (Part #2991227000)
RH (used with right fabric stacks) (Part #2991228000)
12. Vertical Rail End Cap
3/4" (Part #2991226000)
1-1/4" Rail (Part #2991225000)
13. Cord Guide Pin (Part #12991523000)
14. Vertical Rail
15. Handle Kit with Screws
KIT2584 – Aspen White (785)
KIT2670 – Silverado (276)
KIT2589 – White Tiara (661)
KIT2592 – Gardenia White (862)
KIT2594 – Honey Bisque (882)
KIT2591 – Dark Blonde (841)
KIT2586 - Camel (082)
KIT2587 – Cocoa (083)
KIT2585 – Mushroom (810)
24-119 – Hybrid (Clear)
16. Vertical Rail Light Block Strip (Part # 2991319-COLOR)
17. Set Screw (4-40 x 1/4") (Part #2999137000)
18. Filler Strip
3/4" (Part #1000002)
1-1/4" (Part #2971311000)
19. Fabric
20. Cord Guide (Part #2991290000)
21. Cord (Part #1003020)
22. Valance Corner End Caps
Black (Part #1031831)
Camel (Part #1031837)
Cocoa (Part #1035257)
Silverado (Part #1031674)
White Tiara (Part #1031671)
Aspen White (Part #1031675)
Mushroom (Part #1031830)
Dark Blonde (Part #1031677)
Gardenia White (Part #1031672)
Honey Bisque (Part #1031678)
23. Valance
24. Cord Wrapper (Part #2991379000)
25. Foam Stop (IB Shades Only) (Part #2991497000)
26. Cord Washer (Part #2930130000)
27. Installation Bracket
2 Pack (Part #KIT2764)
3 Pack (Part #KIT2765)
28. Spacer Blocks
2 Pack (Part #KIT2511)
3 Pack (Part #KIT2512)
29. Extension Bracket Kit
2 Pack (Part #KIT2013)
3 Pack (Part #KIT2014)
30. Stationary Rail Bracket Screw Kit (Part #KIT2757)
31. Valance Splice Kit (Part #KIT2730)
32. 1-1/4" Valance Clip
2 Pack (Part #KIT2596)
3 Pack (Part #KIT2618)
4 Pack (Part #KIT2713)
33. 3/4" Valance Clip
2 Pack (Part #KIT2595)
3 Pack (Part #KIT2617)
4 Pack (Part #KIT2712)
34. Stationary Rail Bracket (Part #KIT2490)

Not shown
Rail Magnet (Part #2993979000)
Rail Magnet Holder (Part #2991240000)

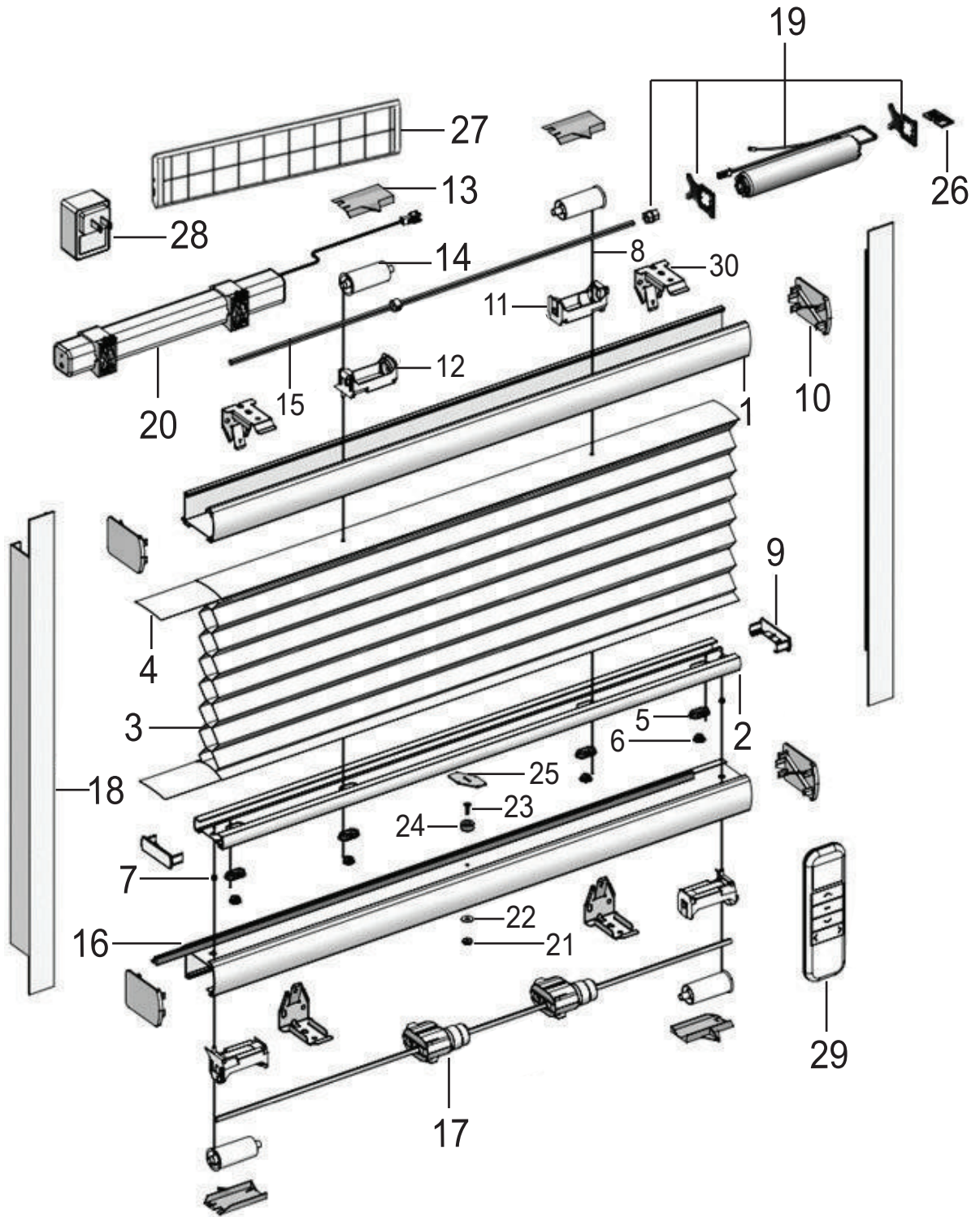
PRODUCT COMPONENTS – SKYLIGHT



PRODUCT COMPONENTS – SKYLIGHT

1. Standard Installation Bracket 3/8" Part #KIT-38HC-STD (2PK)
2. Standard Installation Bracket 3/4" Part #KIT-34HC-STD (2PK)
3. Aspen White Aluminum Rail
3/4" (Part #72-21-0785)
3/8" (Part #71-21-0785)
4. Washer (Part #2980043000)
5. Headrail End Cap
3/4" (Part #2970020785)
3/8" (Part #2950020785)
6. Cord Guide
3/8" (Part #2950100000)
3/4" (Part #2970300000)
7. Filler Strip
3/8" (Part #2954000000)
3/4" (Part #42500110C)
8. Specialty Side Track (Part #2980042785)
3/8" (Part #2980041785)
3/4" (Part #2980042785)
9. Specialty End Cap
3/8" (Part #2980045000)
3/4" (Part #2980040000)
10. Cord Clamping Screw (Part #2980044000)
11. Cord Clamping Washer (Part #2980043000)
12. Bottomrail End Cap
3/8" (Part #2950020785)
3/4" (Part #2970020785)
13. Specialty Spring (Part #2980035000)
14. Optional Extension Pole Extends 5' to 10' (Part #400036-81511)
15. Handle (Part #2980048785)
Handle Screw (Part #2980049785)
16. Fabric Gasket
17. 1.2 MM Cord (Part #5009085959)

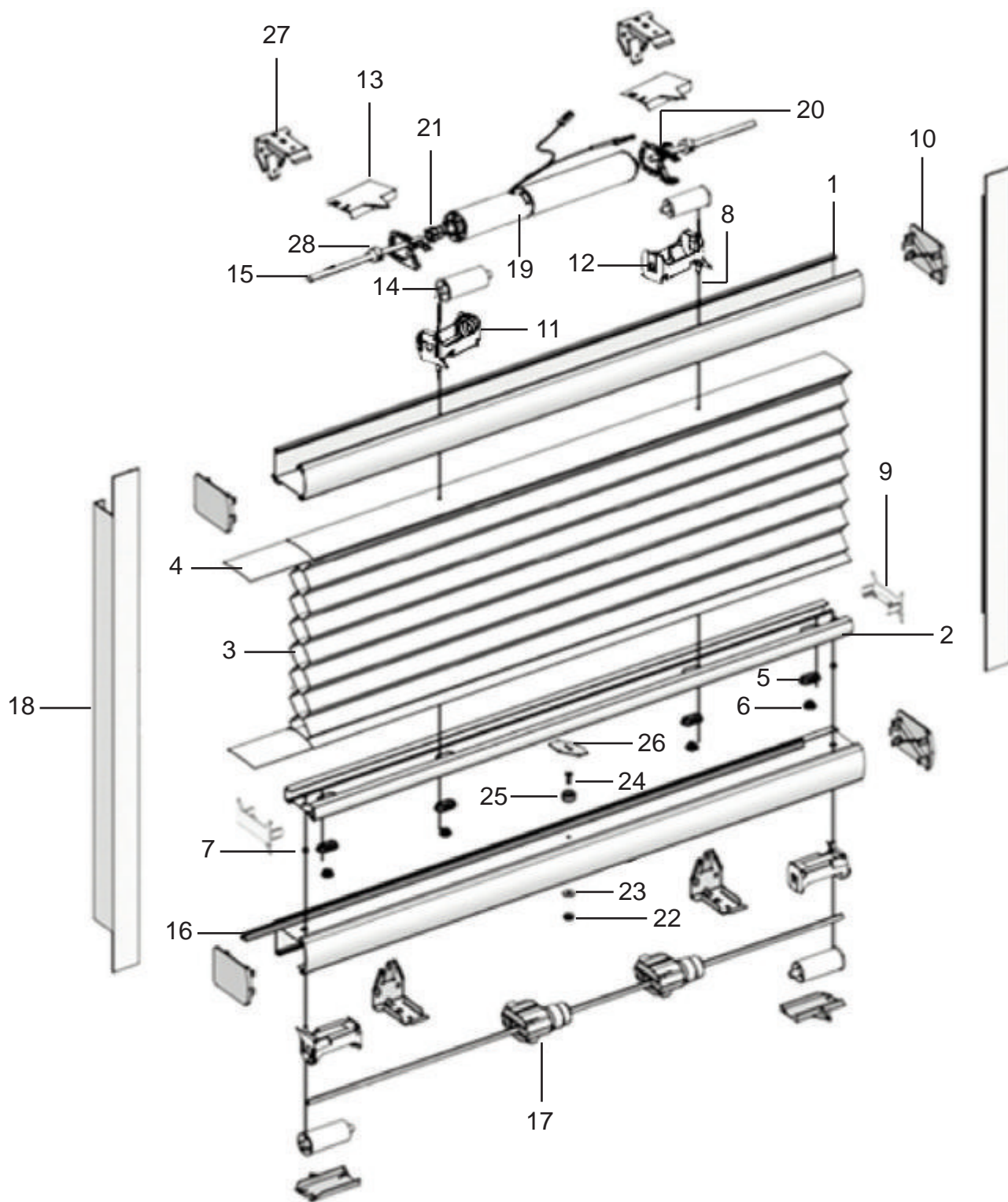
PRODUCT COMPONENTS – SKYLIGHT BLISS



PRODUCT COMPONENTS – SKYLIGHT BLISS

1. HR SMTH MOD 2.10 UNIV HCCLCC White Tiara (Part #90-80-0661)
2. RAIL STD CMTX 3/4 White Tiara (Part #XUR66116)
3. Honeycomb Fabric
4. FILLER STRIP Duet Appls Acclm 3/4in AL (Part #42500110C)
5. Shade Adjust - Base Clr/5K CAR rev 7.14. (Part #12-129A)
6. Shade Adjust - Spool Clear/5K CAR (Part #12-128A)
7. EYELET HC Pltd (Part #2980037000)
8. CORD .9 MM (Part #1851771)
9. END CAP 3/4 CMTX MOD LL WHITE TIARA (Part #19-183-661)
10. HDRL END CAP UNIV RAIL White Tiara (Part #4024954661)
11. COMMON HR LIFT SPOOL SUPPORT (Part #2780033000)
12. SPOOL HOUSING LH (Part #2965980000)
13. SPOOL SUPPORT COVER CORDLESS ULTRA IV (Part #CS4052)
14. SPOOL;HONEYCOMB;COMMON HR ASA;DARK GRAY (Part #1019884)
15. STEEL V-SHAFT ROD FOR COMMON HEADRAIL -A (Part #2770004000)
16. .350"H KERF MOUNT FOAM FILLED SEAL WHITE (Part #CS650W)
17. SIMPLEX MOTOR BROWN NO BRAKE (Part #500200000)
18. TRACK RETAINER BRIGHT WHITE 8 FT (Part #CS2400BW)
19. MOTOR;BLISS;CELL;SingleDr;0.6Nm;50r (Part #62006000)
(Note: Motor includes mount and shaft adapters)
20. BATPK;BLISS;5v2.6AhLi-ion;Rechrgeable (Part #62203000)
21. 6-32 5/16W 1/8H NYLON INSERT HEX LOCK (Part #CS5471)
22. FLAT WASHER 18-8 STAINLESS STEEL (Part #CS5473)
23. 6-32 7/16 FLAT HD PHILIPS MACHINE SCREW (Part #CS5474)
24. 3/8 DIA. ROUND MAGNET FOR TOP RAIL (Part #CS5467)
25. Magnet Center Striker Plate TDBU Zinc PI (Part #CS5476)
26. CABLE TIE MOUNTING BASE (Part #CS5201)
27. Solar Panel (Part #62201000)
28. Plug In Charger Kit (Part #1027720)
29. Bliss 15 Channel Remote Control (Part #1026655)
30. Installation Bracket
(Part #KIT-CCCLHC-2PK (2PK))
(Part #KIT-CCCLHC-3PK (3PK))

PRODUCT COMPONENTS – SKYLIGHT SOMFY



PRODUCT COMPONENTS – SKYLIGHT SOMFY

1. Headrail
2. 3/4" Rail (Part # XUR66116)
3. Fabric
4. SYMPHONY BOTTOM STIFFENER (Part #CS1700)
Aluminum Filler Strip 1 1/2 inch 1KFT RL (Part #1091830150)
FILLER STRIP Duet Appls Acclm 3/4in AL (Part #2974000000)
5. Shade Adjust – Base (Part #12-129A)
6. Shade Adjust – Spool (Part #12-128A)
7. EYELET (Part #2980037000)
8. CORD;CC090002;NA;WHITE;00110;CRDLS .09MM (PCN #1851771)
9. EC;;HCSkylight;Motorized;Btm (Part #1022225)
10. HDRL END CAP UNIV RAIL White Tiara (Part #4024954661)
11. COMMON HR LIFT SPOOL SUPPORT (Part #2780033000)
12. Spool Housing LH (Part #2965980000)
13. SPOOL SUPPORT COVER (Part # CS4052)
14. SPOOL;HONEYCOMB;COMMON HR ASA;DARK GRAY
(Part #1019884)
15. LIFT ROD V-SHAFT (Part #2770004000)
16. .350"H KERF MOUNT FOAM FILLED SEAL WHITE (Part # CS650W)
17. SIMPLEX BROWN MOTOR NO BRAKE-NEW WING (Part #1013872)
18. TRACK RETAINER BRIGHT WHITE 8 FT (Part # CS2400BW)
19. MOTOR;TL25;HC;CordLift;WF;RTS (Part #1035513)
20. ADAPTER;TL25;Headrail;HC (Part #1035615)
21. ADAPTER;TL25;Shaft;HC (Part #1035616)
22. 6-32 5/16W 1/8H NYLON INSERT HEX LOCK (Part # CS5471)
23. FLAT WASHER 18-8 STAINLESS STEEL (Part # CS5473)
24. 6-32 7/16 FLAT HD PHILIPS MACHINE SCREW (Part # CS5474)
25. 3/8 DIA. ROUND MAGNET FOR TOP RAIL (Part # CS5467)
26. Magnet Center Striker Plate TDBU Zinc PI (Part # CS5467PL-TDBU)
27. Installation Brackets
Part # KIT-CCCLHC-2PK (2PK)
Part #KIT-CCCLHC-3PK (3PK)
28. LOCKING COLLAR ASSY - NGPR (METAL) (Part #2920750000)

Not Shown (Optional)
BATPK;Lithium ion;Rechargeable (Part #1019535)
Situo@ 1 RTS (Part #1019536)
Situo@ 5 RTS (Part #1019537)
12v DC Power Supply (Part #1822445)
Lithium-Ion Charger (Part #9025166)