

## // Product Components Guide



**ALTA**  
WINDOW FASHIONS  
*design simplified*

**FAUX WOOD**  
BLINDS

REVISED 4/22/24

---

## SUMMARY OF REVISIONS

---

### 4-22-24 Revisions:

Changes have been made to the entire guide in compliance with the CPSC Voluntary standard

### 1/22/24 Revisions:

Page 1 .....Ammended Table of Contents to include Advantage Faux Woods

Page 2 .....Added Advantage Faux Woods Diagram

Page 3 .....Added Advantage Faux Woods components lists

### 4/1/23 Revisions:

Page 7 .....Motor PCN's updated

Page 10 ..... "NEW" wand was added # 811 (off white) to fill a color gap in our product color coordination caused by a change in color master

### 11/1/22 Revisions:

Page 9 .....Changed 2.5" Wand Tilt Stem pcn from 10320206 to 1030206

### 9/1/22 Revisions:

Page 9 .....Changed PG502 Sterling gray from wand 302 to 802

Page 10 .....Changed PG502 wand color code to 802

---

## TABLE OF CONTENTS

---

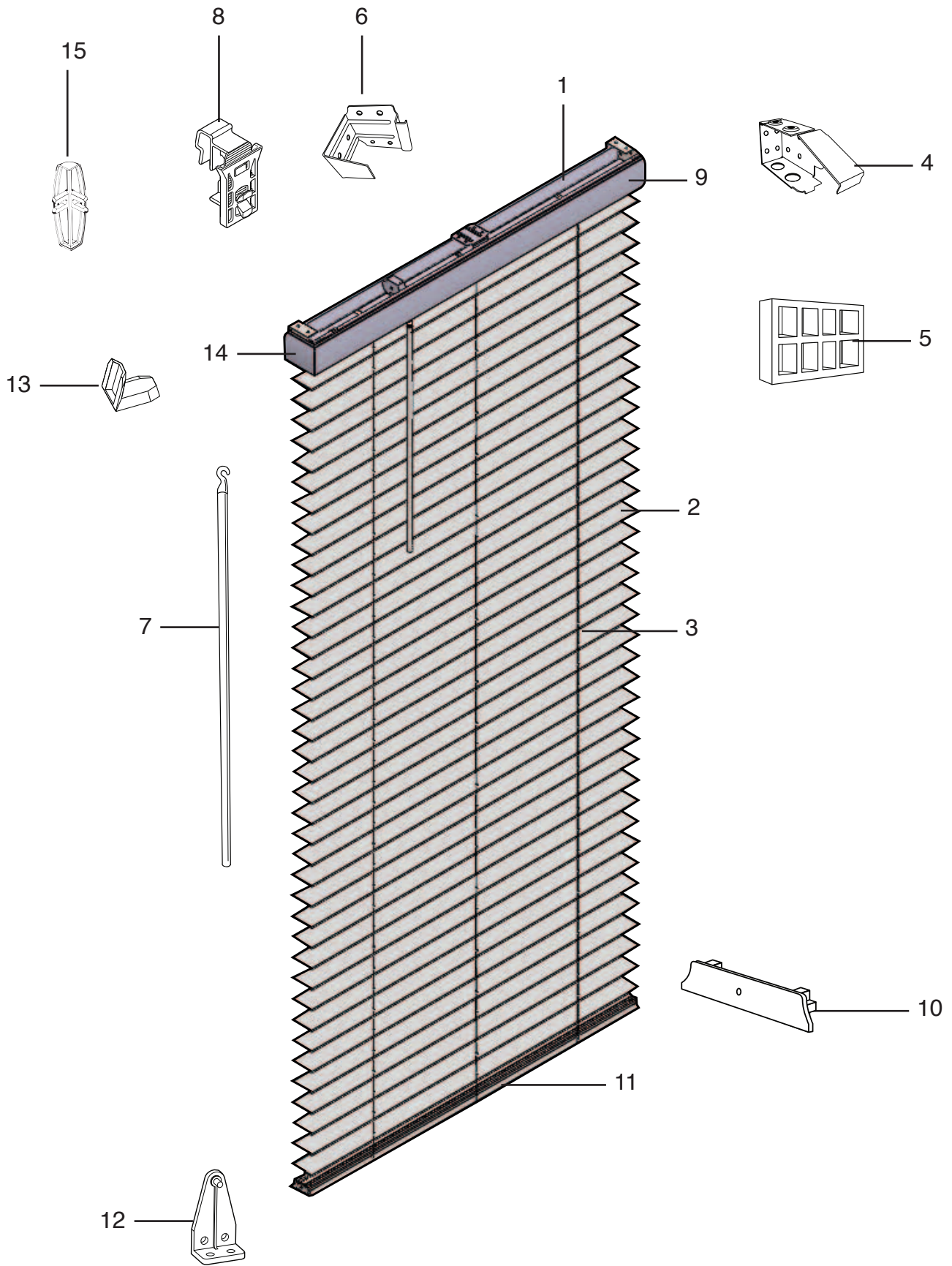
### **Alta Advantage Faux Wood Product Specifications**

- Product Components - Standard Rectangular ..... 2-3

### **Alta Faux Wood Product Specifications**

- Product Components - Cordless XL ..... 4-5
- Product Components - Cordless Lift System. .... 6-7
- Product Components - Cordless Lift & Lock™ System. .... 8-9
- CC Wand Chart. .... 10

ALTA ADVANTAGE PRODUCT COMPONENTS – STANDARD RECTANGULAR



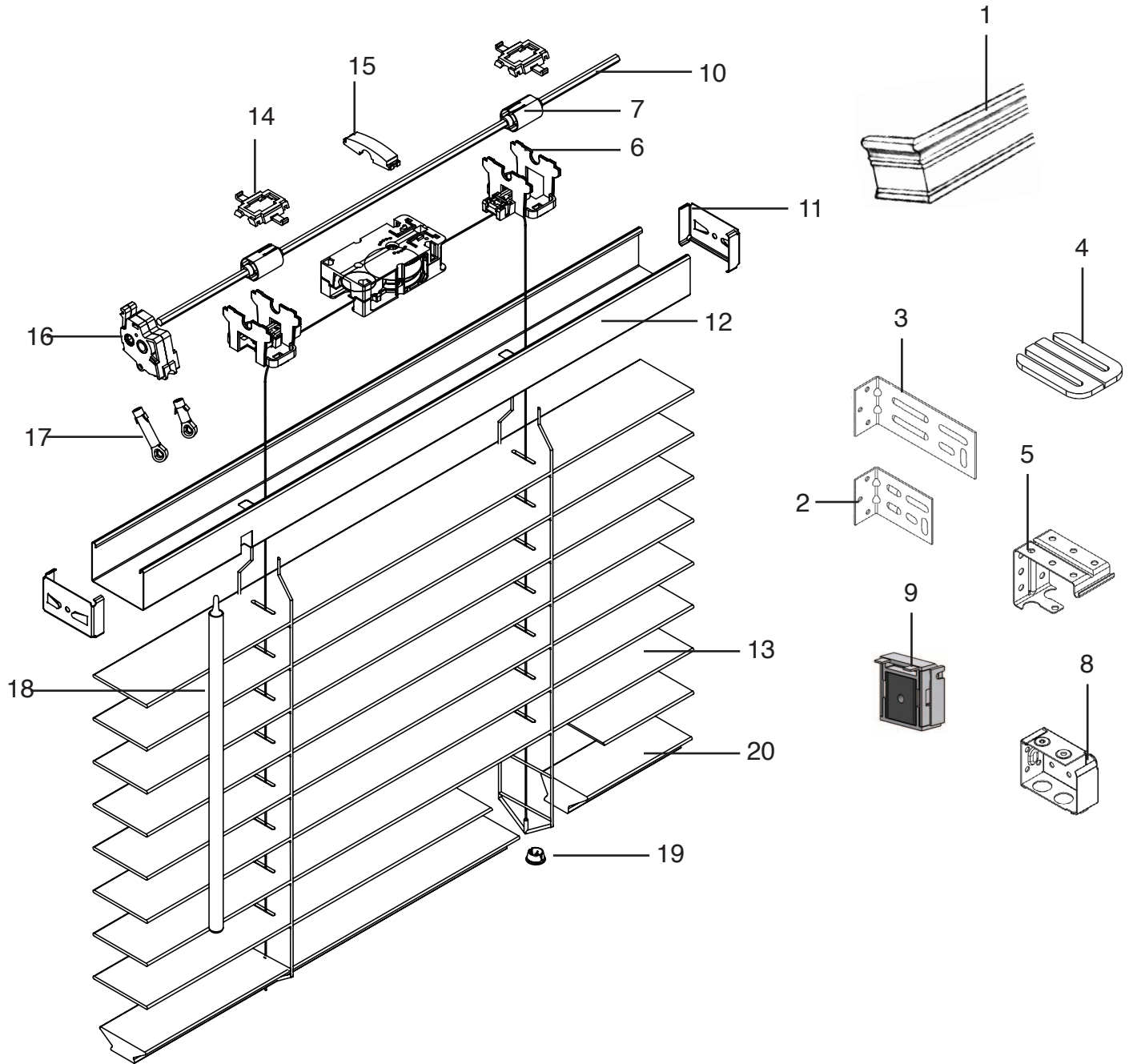
---

## ALTA ADVANTAGE PRODUCT COMPONENTS – STANDARD RECTANGULAR

---

1. Headrail
2. Faux Wood Slat
3. Ladder
4. Installation Box Bracket Set
  - Lily (Part #1039485)
  - Greek Villa (Part #1039485)
  - Gravel (Part #1039486)
  - Walnut Grove (Part #1039487)
  - Pecan Pie (Part #1039488)
5. Spacer Blocks
  - 2 Pack (Part #KIT-38BLOCK-2PK)
6. Center Support Bracket (Part # 1039484)  
(Not required on all blinds)
7. Tilt Wand (PVC)
  - 24" White (Part # 1039108)
  - 36" White (Part# 1039123)
  - 36" 2-peice White (Part# 1039128)
  - 24" Warm White (Part # 1039109)
  - 36" Warm White (Part# 1039124)
  - 36" 2-peice Warm White (Part# 1039129)
  - 24" Light Gray (Part # 1039120)
  - 36" Light Gray (Part # 1039125)
  - 36" 2-peice Light Gray (Part# 1039130)
  - 24" Walnut (Part # 1039121)
  - 36" Walnut (Part # 1039126)
  - 36" 2-peice Walnut (Part# 1039131)
  - 24" Pecan (Part # 1039122)
  - 36" Pecan (Part# 1039127)
  - 36" 2-peice Pecan (Part# 1039132)
8. Valance Clip
  - 2 Pack (Part #1039293)
9. Valance
10. Bottomrail End Cap
  - White - (Part # 1039103)
  - Warm White - (Part # 1039104)
  - Light Gray - (Part # 1039105)
  - Walnut - (Part # 1039106)
  - Pecan - (Part # 1039107)
11. Bottomrail
12. Hold Down Bracket Set (Part #1039490)
13. Valance Return Connector (Miter Cut Valance)
  - ½" Return - (Part #1008901)
  - >½" Return - (Part #1870052)
14. Return
15. Valance Corner Cap (Straight Cut Valance/Return Only)
  - Lily and Textured Lily (Part #1043140)
  - Greek Villa (Part #1043141)
  - Gravel (Part #1043144)
  - Walnut Grove (Part #1043142)
  - Pecan Pie (Part #1043143)

PRODUCT COMPONENTS – CORDLESS XL

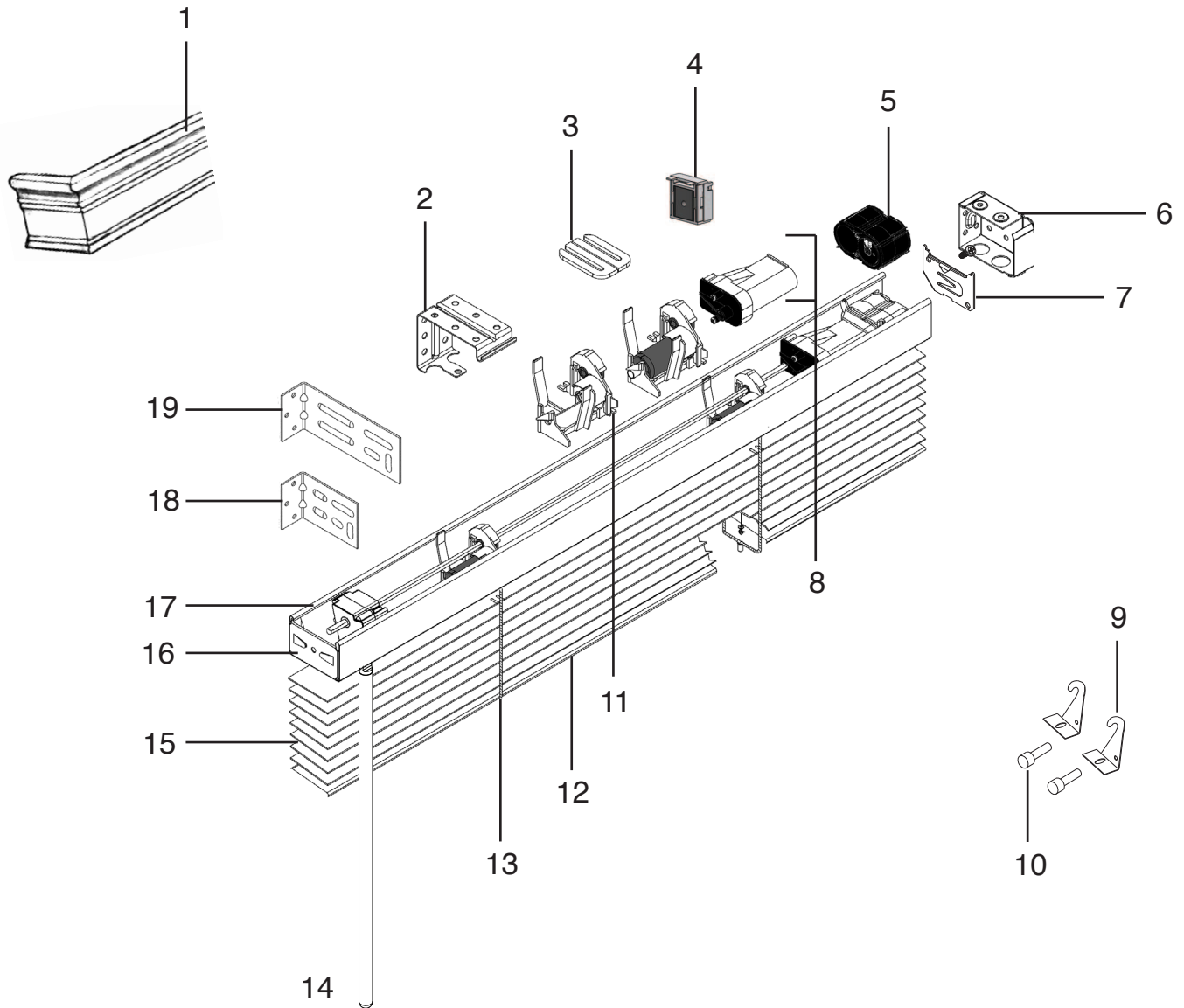


## PRODUCT COMPONENTS – CORDLESS XL

- |  |   |
|--|---|
| <p>1. Valance</p> <p>2. 3-7/8" Short Extension Brackets<br/>2 Pack (Part #KIT4380)<br/>3 Pack (Part #KIT4381)<br/>(Not required on every blind)</p> <p>3. 5-7/8" Long Extension Brackets<br/>2 Pack (Part #KIT4382)<br/>3 Pack (Part #KIT4383)<br/>(Not required on every blind)</p> <p>4. Bracket Shim<br/>2 Pack (Part #KIT-SHIM-2PK)<br/>3 Pack (Part #KIT-SHIM-3PK)<br/>(not required on every blind)</p> <p>5. Center Support Bracket*<br/>1 Pack (Part #KIT-INTSUP-1PK)<br/>2 Pack (Part #KIT-INTSUP-2PK)<br/>(not required on every blind)</p> <p>6. Drum Support<br/>(Part # 1030196) with steal pin<br/>(Part # 1030197) without steal pin</p> <p>7. Tape Roll<br/>(Part # 1030198)</p> <p>8. Installation Bracket (Part #KIT-8-COLOR)</p> <p>9. Magnetic Valance Clip<br/>2 Pack (Part #KIT-MAGCLIP-2PK)<br/>3 Pack (Part #KIT-MAGCLIP-3PK)</p> <p>10. Tilt Rod</p> <p>11. End Lock End Stiffener (Part #5003655000S)</p> <p>12. Headrail</p> <p>13. Slat</p> <p>14. Ladder Stopper<br/>(Part # 1030199)</p> <p>15. Motor Plate Press<br/>(Part # 1030202)</p> <p>16. Wand Tilter<br/>(Part # 1030195)</p> <p>17. Wand Tilt Stem<br/>2" (Part # 1030205)<br/>2.5" (Part # 1030206)</p> <p>18. Plastic Wand<br/>See Options Below</p> | <p>19. Tape Buttons (Part #7004034-COLOR)</p> <p>20. Trapezoid Bottomrail</p> |
|--|---|

Color Name and Number		Cordless XL Wand Color	Wand Size / PCN				
			12"	20"	24"	36"	48"
S1001 Blooming Jasmine	S1000 Cotton	026	1029585	1029586	1029587	1029588	1029589
S1002 Silhouette	S901 Snow						
T1000 Textured Cotton	T901 Textured Pure White						
S951 Ultra White							
PG508 Canyon	S1005 Flannel	302	1030150	1030151	1030152	1030153	1030154
PG500 Heathered	S1003 Gray Owl						
S1004 Soft Whisper	T1004 Textured Soft Whisper						
T1003 Textured Gray Owl							
S904 Old Linen	S903 Pearl	812	1030140	1030141	1030142	1030143	1030144
T903 Textured Pearl							
PG509 Campfire Ash	PGS921 Gathered Gray	800	1030185	1030186	1030187	1030188	1030189
PG510 Down Home	PG501 Slate						
PG703 Gray Ashwood	S922 Wrought Iron						
PG502 Sterling Gray		823	1030190	1030191	1030192	1030193	1030194
PG700 Blonde Hickory							
PG702 Colonial Maple	PG704 Sierra Spruce	117	1030160	1030161	1030162	1030163	1030164
PG701 Early American		124	1030170	1030171	1030172	1030173	1030174
PG705 Special Walnut		125	1030155	1030156	1030157	1030158	1030159
S920 Canvas		813	1030145	1030146	1030147	1030148	1030149

# PRODUCT COMPONENTS – CORDLESS LIFT SYSTEM





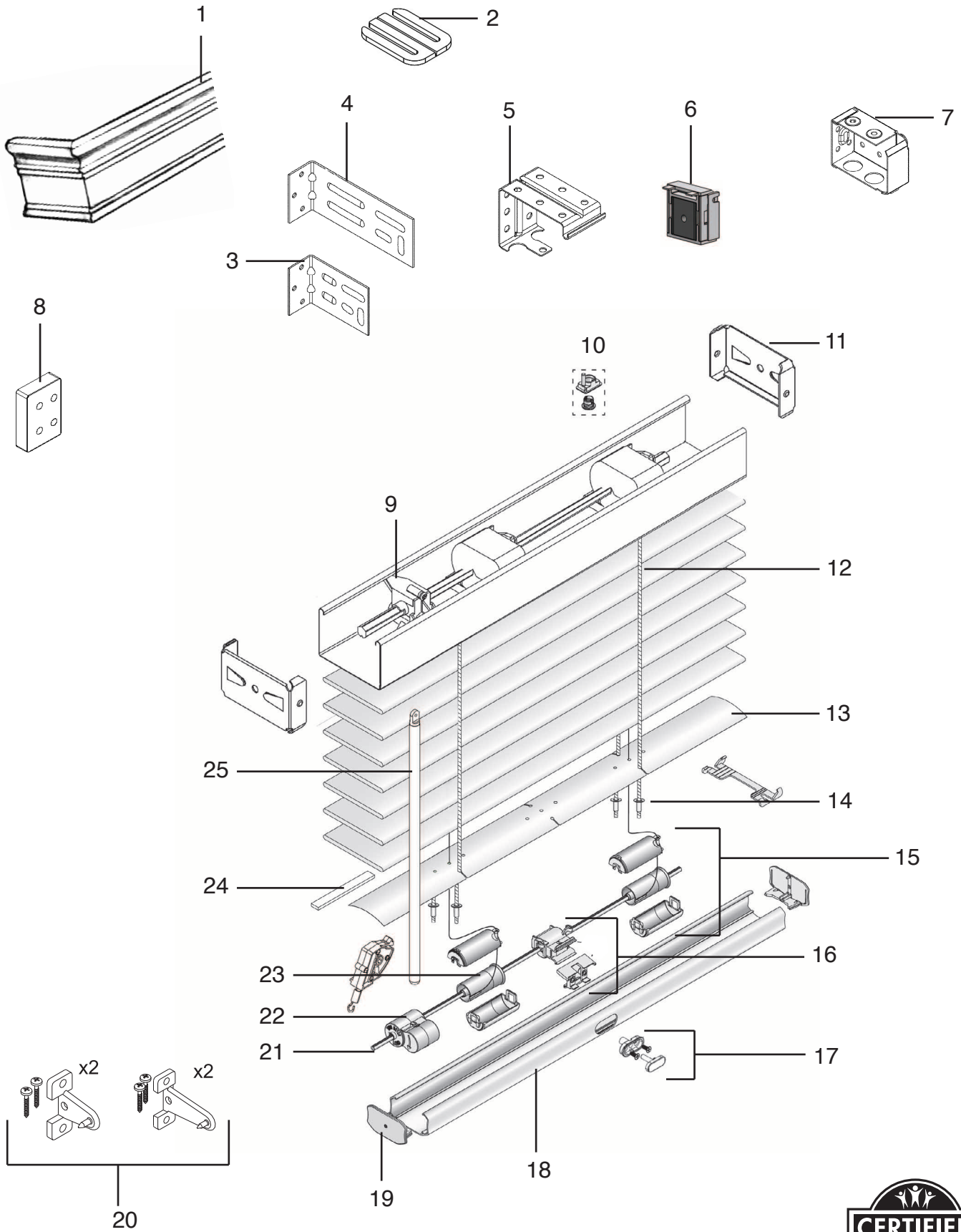
---

## PRODUCT COMPONENTS – CORDLESS LIFT SYSTEM

---

1. Valance
2. Center Support Bracket
  - 1 Pack (Part #KIT-INTSUP-1PK)
  - 2 Pack (Part #KIT-INTSUP-2PK)
  - (Not required on every blind)
3. Bracket Shim
  - 2 Pack (Part #KIT-SHIM-2PK)
  - 3 Pack (Part #KIT-SHIM-3PK)
  - (Not required on every blind)
4. Magnetic Valance Clip
  - 2 Pack (Part #KIT-MAGCLIP-2PK)
  - 3 Pack (Part #KIT-MAGCLIP-3PK)
5. Motor Set
  - Gray (Part #1010231)
  - Beige (Part # 1010234)
  - Black (Part # 1010230)
  - Natural ( Part # 1010233)
  - Red (Part # 1010232)
6. Installation Bracket (Part #KIT-8COLOR)
7. Metal Clamp (Part #7300139000)
8. Pre-installed Cordless Transmission
  - Clear (Part #7300185001)
  - Beige (Part #7300221001)
9. Hold-down Bracket Set
  - White (Part #KIT-HOLDBRKTWT)
  - Zinc (Part #KIT-HOLDBRKTZC)
  - (Not required on every blind)
10. Hold-down Pin (Part #12-70-3009)
11. Lift and Tilt Roll Assembly
12. Bottomrail
13. Braided Ladder
14. Tilt Wands
  - Refer to last page for all options
  
  - Clear Wands
    - 60" - (Part #1030286)
    - 72" - (Part #1030287)
    - 84" - (Part #1030288)
15. Faux Wood Slat
16. End Stiffener (Part #5003655000S)
17. Slim Design Headrail
18. Short Extension Brackets
  - 2 Pack (Part #KIT4380)
  - 3 Pack (Part #KIT4381)
  - (Not required on every blind)
19. Long Extension Brackets
  - 2 Pack (Part #KIT4382)
  - 3 Pack (Part #KIT4383)
  - (Not required on every blind)

PRODUCT COMPONENTS – CORDLESS LIFT & LOCK™ SYSTEM



\*when ordered with wand tilt

---

## PRODUCT COMPONENTS – CORDLESS LIFT & LOCK™ SYSTEM

---

1. Valance
2. Bracket Shim  
2 Pack (Part #KIT-SHIM-2PK)  
3 Pack (Part #KIT-SHIM-3PK)
3. 3-7/8" Short Extension Brackets  
2 Pack (Part #KIT4380)  
3 Pack (Part #KIT4381)  
(Not required on every blind)
4. 5-7/8" Long Extension Brackets  
2 Pack (Part #KIT4382)  
3 Pack (Part #KIT4383)  
(Not required on every blind)
5. Center Support Bracket  
1 Pack (Part #KIT-INTSUP-1PK)  
2 Pack (Part #KIT-INTSUP-2PK)
6. Magnetic Valance Clip  
2 Pack (Part #KIT-MAGCLIP-2PK)  
3 Pack (Part #KIT-MAGCLIP-3PK)
7. Installation Bracket (Part #KIT-8-COLOR)
8. Spacer Blocks  
3/8" Spacer Block  
2 Pack (Part #KIT-38BLOCK-2PK)  
3 Pack (Part #KIT-38BLOCK-3PK)  
3/4" Spacer Block  
2 Pack (Part #KIT-BLOCK-2PK)  
3 Pack (Part #KIT-BLOCK-3PK)
9. Wand Tilter  
(Part # 1029366 2")  
(Part # 1030638 2.5")
10. Cord Skew Adjuster (Part#7300501000)
11. End Stiffener (Part #5003655000S)
12. No Loop Cable Tape
13. 2" Aluminum Slat (Part #5001200885H)
14. 2" Cable Tape Grommet (Part #12-70-9002)
15. Support and Cover Set (Part #7300405000)
16. 2" Lock Assembly (Part #7300404000)
17. Lift & Lock Button Set (Part #7300406COLOR)
18. Lift & Lock Bottomrail (Part #5003024COLOR)
19. Lift & Lock Bottomrail End Cap (See Bottomrail Color Chart)
20. 2" Lift & Lock Hold Down Brackets  
Sill - 3/8" (Part #KIT2009)  
Jamb - 3/4" (Part #KIT2010)
21. "V" Tiltrod (Part #2770004000)
22. Lift & Lock Motor  
(Part #7300402000 Beige)  
(Part #7300401000 Black)
23. Lift & Lock Lift Spool (Part #1019884)
24. Foam Tape
25. Tilt Wands  
Refer to last page for all options  
  
Clear Wands  
60" - (Part #1030286)  
72" - (Part #1030287)  
84" - (Part #1030288)

## CC WAND CHART

Core Color	2" Color #	2-1/2" Color #	Wand Color Code	Wand Size / PCN				
				12"	20"	24"	36"	48"
Blonde Hickory	PG700		823	1030401	1030402	1030403	1030404	1030405
Blooming Jasmine	S1001	S1001	811	1036337	1036338	1036339	1036840	1036841
Campfire Ash	PG509		312	1030336	1030337	1030338	1030339	1030340
Canvas	S920	S920	812	1030386	1030387	1030388	1030389	1030390
Canyon	PG508		807	1030381	1030382	1030383	1030384	1030385
Colonial Maple	PG702		134	1030321	1030322	1030323	1030324	1030325
Cotton	S1000	S1000	026	1029706	1029707	1029708	1029709	1030290
Down Home	PG510		807	1030381	1030382	1030383	1030384	1030385
Early American	PG701		309	1030331	1030332	1030333	1030334	1030335
Flannel	S1005	S1005	401	1030346	1030347	1030348	1030349	1030350
Gathered Gray	S921	S921	801	1030371	1030372	1030373	1030374	1030375
Gray Ashwood	PG703		802	1030376	1030377	1030378	1030379	1030380
Gray Owl	S1003	S1003	302	1030326	1030327	1030328	1030329	1030330
Heathered	PG500		302	1030326	1030327	1030328	1030329	1030330
Old Linen	S904	S904	812	1030386	1030387	1030388	1030389	1030390
Pearl	S903	S903	811	1036337	1036338	1036339	1036840	1036841
Sierra Spruce	PG704		124	1030306	1030307	1030308	1030309	1030310
Silhouette	S1002	S1002	811	1036337	1036338	1036339	1036840	1036841
Slate	PG501		501	1030351	1030352	1030355	1030353	1030354
Snow	S901	S901	026	1029706	1029707	1029708	1029709	1030290
Soft Whisper	S1004	S1004	302	1030326	1030327	1030328	1030329	1030330
Special Walnut	PG705		820	1030406	1030407	1030408	1030409	1030410
Sterling Gray	PG502		502	1030356	1030357	1030358	1030359	1030360
Textured Cotton	T1000		026	1029706	1029707	1029708	1029709	1030290
Textured Gray Owl	T1003		302	1030326	1030327	1030328	1030329	1030330
Textured Pearl	T903		811	1036337	1036338	1036339	1036840	1036841
Textured Pure White	T901		026	1029706	1029707	1029708	1029709	1030290
Textured Soft Whisper	T1004		302	1030326	1030327	1030328	1030329	1030330
Ultra White	S951	S951	026	1029706	1029707	1029708	1029709	1030290
Wrought Iron	S922	S922	802	1030376	1030377	1030378	1030379	1030380