

// Retail Price List & Product Info Guide



ALTA
WINDOW FASHIONS

design simplified

CORNICES

TOP TREATMENT

Pricing effective March 13, 2023 and supersedes all previous pricing.
Subject to change by Alta Window Fashions.

Revised 4-1-24

SUMMARY OF REVISIONS

4-1-24 Revisions:

Page 5 Remove Inside mount with returns

TABLE OF CONTENTS

Product Overview

- Cornice Ordered Size 1
- Product Overview 2
- Differences Between Cornice and Valance 2
- Color Chart 3

Pricing Group

- Pricing Chart 3

Product Specifications & Options

- Mounting Options 4
- Specifications 5
- Splice/Keystone Options 6

Product Components Guide – product components pages are now featured in a separate guide for quick reference. [Click here to view or go to cbg.widen.net/s/xptsvtvfh/alta_usa_corn_product_components_guide](http://cbg.widen.net/s/xptsvtvfh/alta_usa_corn_product_components_guide) in your browser.

OverSize Common Carrier Delivery

All orders with any quantity of shades or blinds or any continuous valance 90" or more in width are considered oversize. Therefore, a net shipping charge per oversized unit will be assessed.

Oversized orders that require expedited shipping will be quoted and charged accordingly.

Please see General Information for additional freight and shipping charge information.

CORNICE ORDERED SIZE

	<90"	> or = 90" - 102"	102.125" - 130"	130.125" - 168"	168.125" - 180"	180.125 - 220"
Cornice Ordered Size						
No Splice	No OSC Fee	Charge	N/A	N/A	N/A	N/A
1 Splice - Standard (2 equal pieces)	No OSC Fee	No OSC Fee	No OSC Fee	No OSC Fee	N/A	N/A
1 Splice - Custom (2 pieces)	No OSC Fee	Charge if Remaining Cornice section is => 90"	Charge if Remaining Cornice section is => 90"	Charge if Remaining Cornice section is => 90"	N/A	N/A
2 Splices - Standard (3 equal pieces)	No OSC Fee	No OSC Fee	No OSC Fee	No OSC Fee	No OSC Fee	No OSC Fee
2 Splices Custom - Custom (3 pieces)	No OSC Fee	No OSC Fee	No OSC Fee	Charge if Remaining Cornice section is => 90"	Charge if Remaining Cornice section is => 90"	Charge if Remaining Cornice section is => 90"

PRODUCT OVERVIEW

6" Modern Wood Cornice

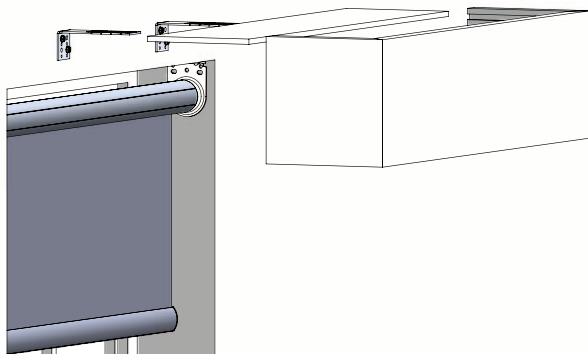


4-1/2" Modern Faux Wood Cornice



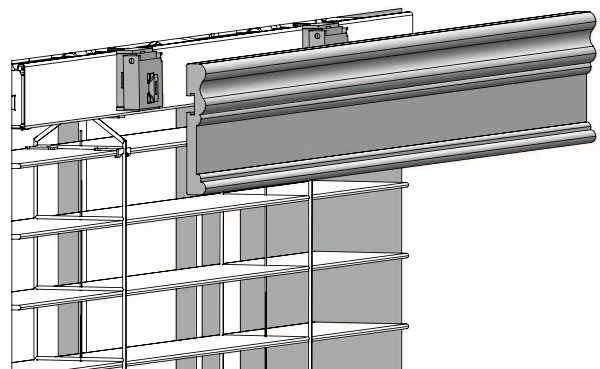
- 2 Cornice Options - 6" Modern Wood or 4-1/2" Modern Faux Wood
- 4-1/2" available in 10 faux colors, 6" wood available in 10 colors
- Ordered as a stand-alone top treatment
- Returns and dust cover are glued and ship assembled (Splices and or Keystones will be shipped in 2 or 3 pieces)
- Easy Installation (standard L brackets)
- Dust cover is standard for OB / Dust cover not available for IB
- Dust cover is approximately 1/2" below top of cornice
- Return Length Options 1", 1-1/2", 2-1/2", 3-1/2", 4-1/2" and 5-1/2"
- Cornices not available on bay or corner windows

DIFFERENCES BETWEEN A CORNICE AND VALANCE



Cornice

- L - Bracket attaches to wall and dust cover
- Designed to fit over most window coverings, including drapery
- Set return sizes
- Separate installation from the product it covers



Valance

- Attaches to blind headrail with valance clips
- Built to fit a blind or blinds it's ordered with
- Custom return sizes to 1/8"
- No dust cover

COLOR CHART

4-1/2" Modern Faux Cornice

Color	Color Name
S901	Snow
S903	Pearl
S920	Canvas
S951	Ultra White
S1000	Cotton
S1001	Blooming Jasmine
S1002	Silhouette
S1003	Gray Owl
S1004	Soft Whisper
S1005	Flannel

6" Modern Wood Cornice

Color	Color Name
012	Winter White
013	Snowflake
026	Pure White
282	Milky White
296	Snow White
301	Lunar
400	Inkwell
401	Ashen
600	Pleasant Dream
601	Hidden Gray

PRICING

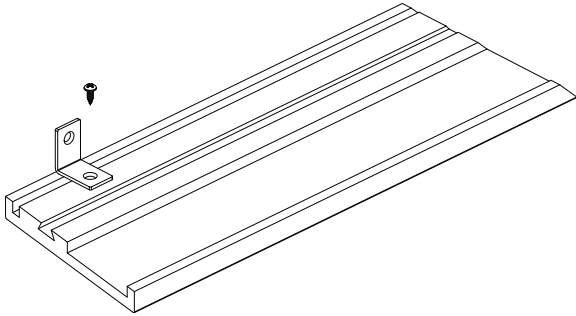
WIDTH TO:	48"	72"	96"	144"	192"	220"
4-1/2" Faux	\$270	360	450	600	750	775
6" Wood	375	450	675	900	1200	1350

The natural characteristics of wood can make knots, patterns, and irregularities visible through the paint. Therefore, variations in appearance are acceptable.

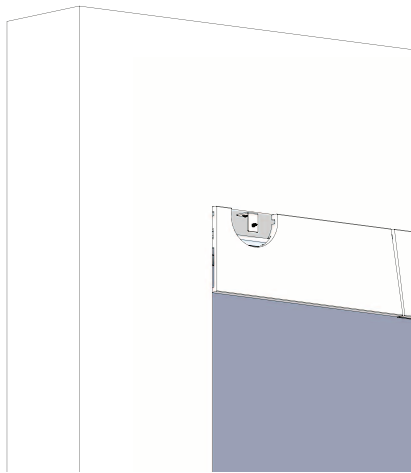
MOUNTING OPTIONS

Inside Mount

- Cornices are supplied without returns. Designed and look best when the blinds and cornice are completely recessed
- Cornice is cut exact to measurement
- Ends of the cornice are straight-cut
- Cornices do **NOT** have a dust cover and returns are **NOT** available
- Mounting depth requirement: 3/4"

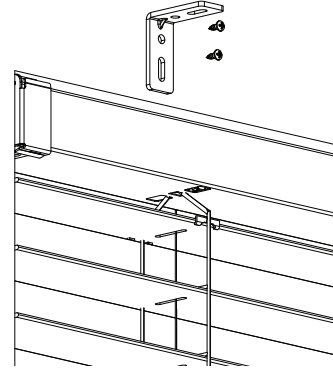


Bracket Installation
(Inside Mount)

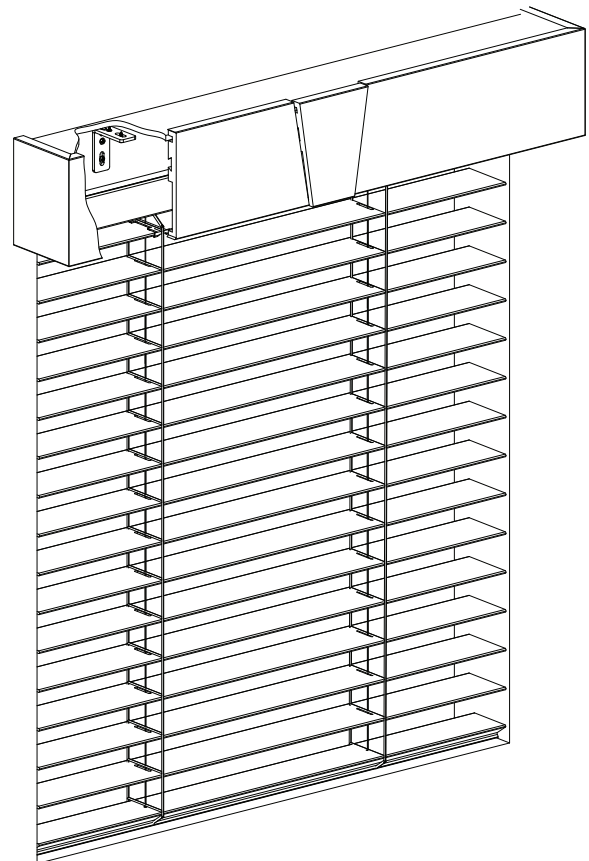


Outside Mount

- Cornice is cut exact to measurement (inside return to inside return)
- Outside mount has mitered corners, returns, and a dust cover to conceal the top of the window treatment
- Single side return available; opposite end will be cut straight. Must be specified at time of order. See return information.



Bracket Installation
(Outside Mount)



Tolerances	
Inside (IB) Mount	
Cornice width	ordered width $\pm 1/8$ "
Outside (OB) Mount	
Cornice width	ordered width $\pm 1/8$ "
Cornice return length	ordered length $\pm 1/8$ "

NOTES: It is recommended to add at least 1" in width to the cornice to ensure it clears the treatment underneath.

SPECIFICATIONS

SIZING CONSIDERATIONS

Minimum Width	Maximum Width (one piece) No Keystone or Splice		Maximum Width with Keystone or Splice
Inside Mount / Outside Mount	Inside Mount No Returns	Outside Mount	Outside Mount
12" 20" w/ Keystone or Splice	102"	102"	168" (1 Splice or Keystone) 220" (2 Splices or keystones)

MINIMUM MOUNTING SURFACE

INSIDE MOUNT (no dust cover)

	Minimum	Bracket Description & Part Number
4-1/2" Flush Mount	1-1/2"	L Bracket (1" x 1") 1036752
6" Flush Mount	1-5/8"	
If projected outside the window opening	1"	

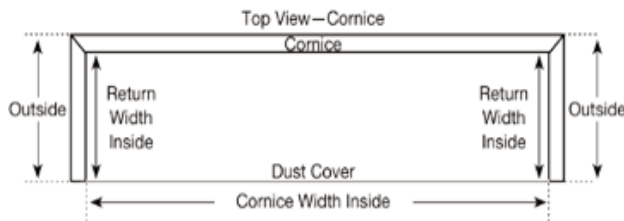
OUTSIDE MOUNT

Return Size w/ dust cover	Minimum	Bracket Description & Part Number
1"	1" vertical (wall)	L Bracket (3/4" x 3/4") 1036751
1-1/2"	1-1/2" vertical (wall)	L Bracket (1-3/8" x 1-3/8") 1036375
2-1/2"	2" vertical (wall)	L Bracket (1-7/8" x 2") 1036376
3-1/2"		L Bracket (1-7/8" x 3") 1036377
4-1/2" & 5-1/2"		L Bracket (1-7/8" x 3-3/8") 1036378

RETURN / DUST COVER SPECIFICATIONS

SIZE OPTIONS

- 1" (min)
- 1-1/2"
- 2-1/2"
- 3-1/2"
- 4-1/2"
- 5-1/2" (max)



- Measure from the wall (mounting surface) to the front of the window treatment(s) to determine the return size. To ensure the cornice covers all treatments without obstructing them, add an additional 1" (minimum).

- Returns & dust covers are glued and assembled

- Single side return available; opposite end will be cut straight. Must be specified at time of order.

LRO - Left Return Only RRO - Right Return Only

- Dust covers available in two colors - White (painted) & Natural (unfinished) to coordinate with cornice color

- Standard dust covers will match return length ordered. Flush with Return (Spec)

IMPORTANT NOTES :

- Check specific product guides for "Finished Dimensions" when ordering a cornice over selected window coverings.
- Light bleed is avoided by creating a dust cover flush with the return. The mounting surface can affect this.

SPLICE / KEYSTONE OPTIONS

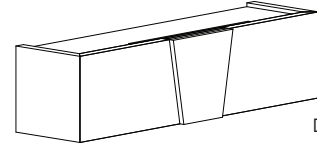
Minimum Width	20"
Maximum Width (single piece)	102"
Maximum Width (1 Splice or Keystone)	168"
Maximum Width (2 Splices or Keystone)	220"



Decorative Keystones designed to cover splices in oversized cornices. Splice Plate will be included if Keystone is not requested.

• **Cornices under 102"**

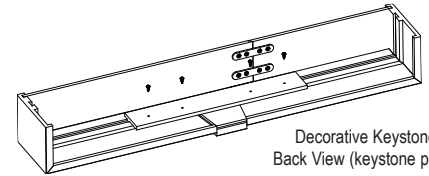
A color matched Keystone may be ordered with a cornice. The cornice will come assembled with the Keystone position in the center of valance. A Keystone will be evenly spaced in the middle of the cornice. Return to return, measuring the cornice from the backside.



Decorative Keystone
Front View

• **Cornices over 102"**

A single color matched Keystone will be included. Assembly required. A Keystone will be evenly spaced in the middle of the cornice unless special splice locations are requested at time of order. Return to return, measuring the cornice from the backside.

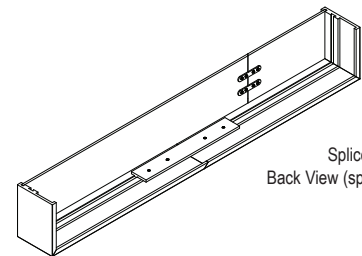


Decorative Keystone
Back View (keystone plate)

• **Cornices over 168"**

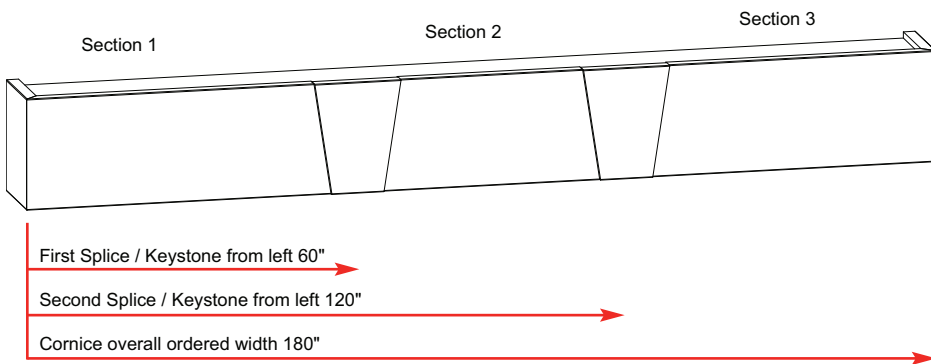
2 color matched Keystones will be included. Assembly required. Keystones will be evenly spaced unless special splice locations are requested at time of order. Return to return, measuring the cornice from the backside.

Example: Cornice width is ordered at 180"
 First splice or Keystone from left - 60"
 Second splice or Keystone from left - 120"



Splice
Back View (splice plate)

Keystones and Splice plates are designed to marry the 2 pieces together and add extra support.



Notes: The addition of a Keystone will not affect the overall width of the cornice.

If a Keystone or Splice is required, the cornice has a 1/4" projection on the back. Wider cornices will require multiple installers.