

// Product Components Guide



ALTA
WINDOW FASHIONS
design simplified

CORNICES
TOP TREATMENT

SUMMARY OF REVISIONS

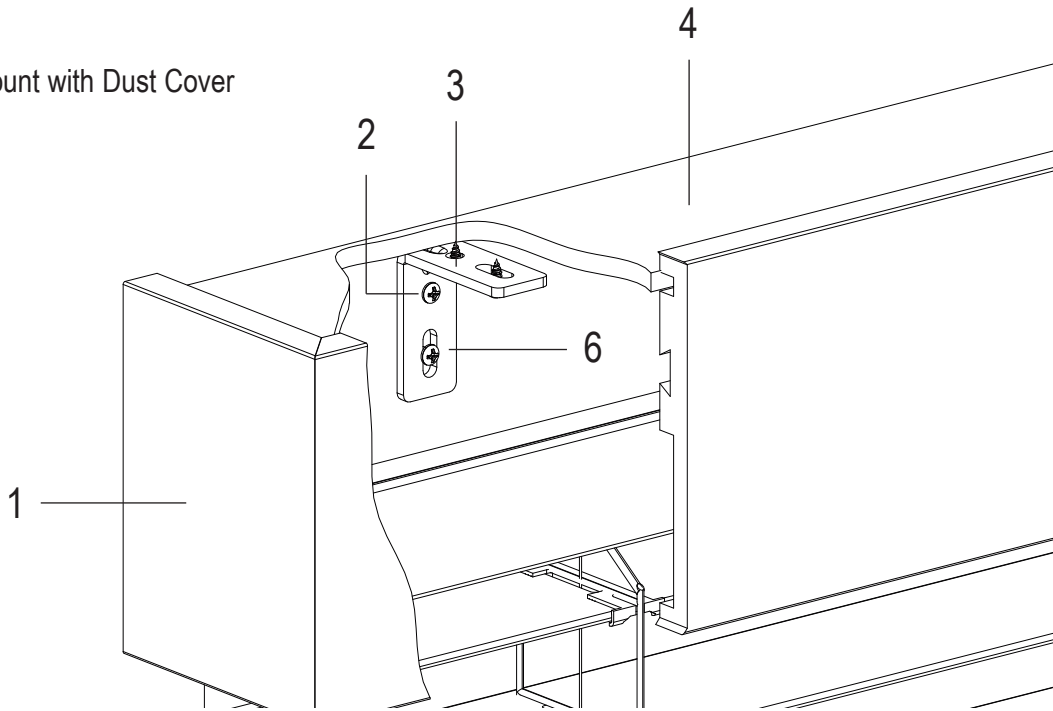
TABLE OF CONTENTS

Product Specifications

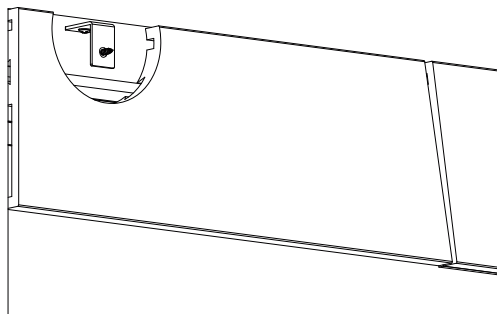
• Product Components - Cornice	3-4
--------------------------------------	-----

PRODUCT COMPONENTS – CORNICES

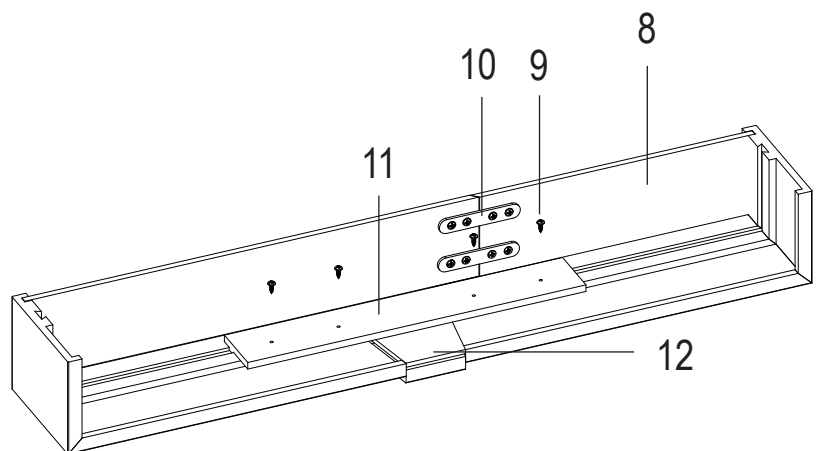
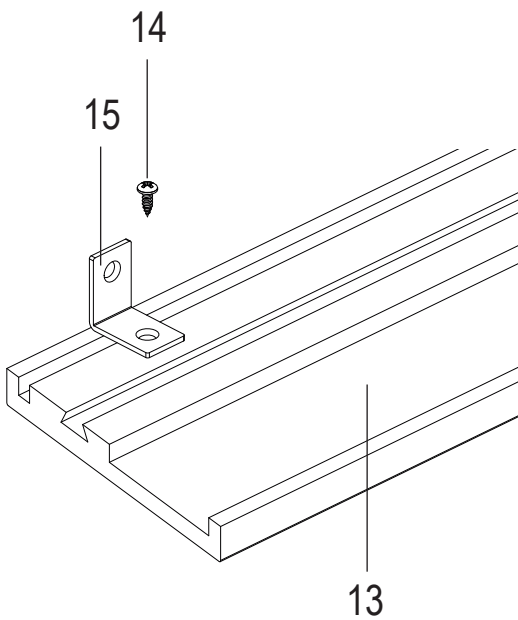
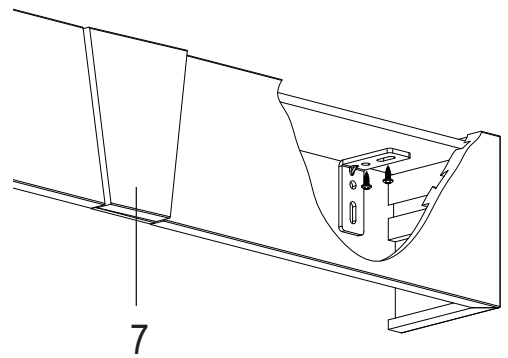
Outside Mount with Dust Cover



Inside Mount No Dust Cover



Keystone/ Splice



PRODUCT COMPONENTS – CORNICES

1. Return
2. Installation Screw Pack
Screw #6AX1/2 Phil Pan HD Qty 4 (Part # KIT1029)
3. Installation Screw (bracket to dust cover)
3/8" Screw (Part # 1022117)
4. Dust Cover
5. Cornice (Front view)
4-1/2" Faux (Available in 10 Faux colors, see product guide for details)
6" Wood (Available in 10 Faux colors, see product guide for details)
6. Installation Brackets (outside mount)
L Bracket - 1" with Dust Cover (3/4;3/4") Part # 1036751
L Bracket - 1-1/2" with Dust Cover (1-3/8";1-3/8") Part # 1036375
L Bracket - 2-1/2" with Dust Cover (1-7/8";2") Part # 1036376
L Bracket - 3-1/2" with Dust Cover (1-7/8";3") Part # 1036377
L Bracket - 4-1/2" & 5-1/2" with Dust Cover (1-7/8";3-3/8") Part # 1036378
7. Keystone (front view)
8. Dust Cover
9. Keystone / Splice Installation Screws
Screw #6AX1/2 Phil Pan HD 5k/Box (Part # 02-70-9010)
10. Keystone / Splice Dust cover joining Bracket
(Part # 1036753)
11. Keystone Kit
4-1/2" Predrilled; Unfinished (Part # 1036755)
6" Predrilled; Unfinished (Part # 1036754)

Splice Kit (not pictured)
4-1/2" Predrilled; Unfinished (Part # 1036757)
6" Predrilled; Unfinished (Part # 1036756)
12. Keystone (back view)
13. Cornice (back view)
14. Installation Screws (inside mount)
15. Installation Brackets (inside mount)
L Bracket - (1";1") (Part # 1036752)